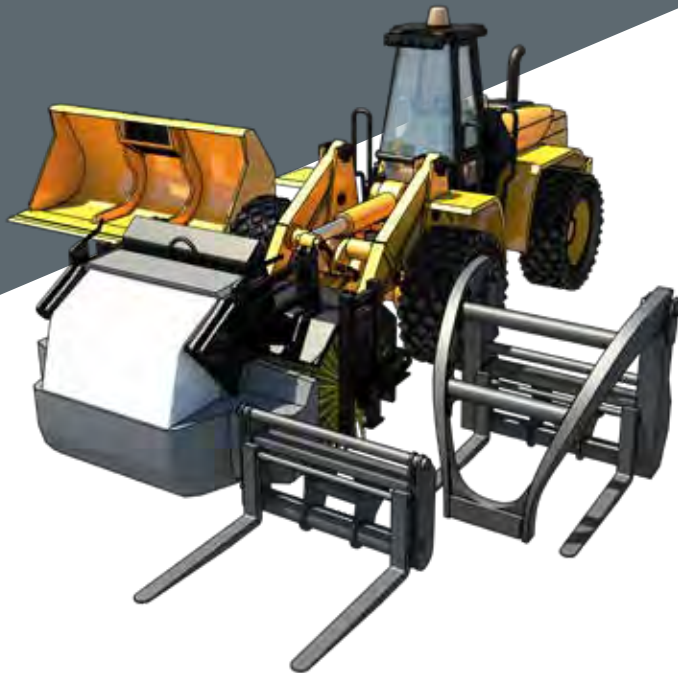


# LEARNER **GUIDE**



# Integrated Tool Carrier

**RII COMPETENCY**

Training support material for:

RIIHAN311F

Conduct operations with integrated tool carrier

Produced by:



# Contents

How to use this guide	4
Language – Literacy – Numeracy (LLN)	6
Acknowledgements	8
Introduction to integrated tool carrier	9
General information	15
Plan and prepare for integrated tool carrier operations	57
Lift and move load	107
Complete operations	159
Select, remove and fit attachments	179

# Introduction to Integrated tool carrier



## What do you use an integrated tool carrier for?

- Mining
- Construction
- Clean up
- Moving dirt/rocks etc
- Agriculture – farming
- Forestry
- Can use for lifting purposes



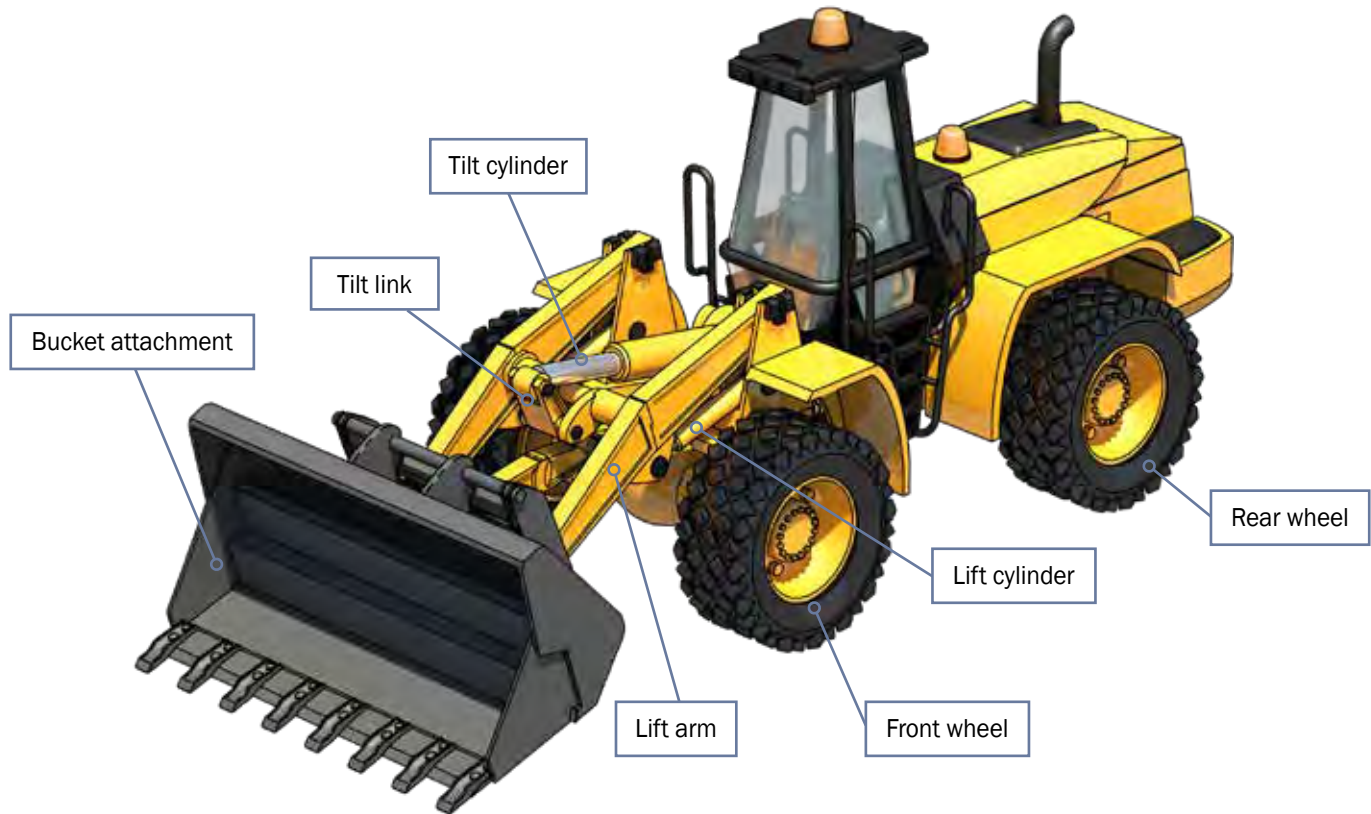
## What industries do you use an integrated tool carrier in?

- Civil construction
- Mining



## Example of an integrated tool carrier (ITC)

An integrated tool carrier (ITC) is a machine similar to a front end loader which has a quick release mechanism on the lift arms which allows the fast changing of various attachments without the need for hand tools or special equipment.



# Plan and prepare for integrated tool carrier operations

## Element 1

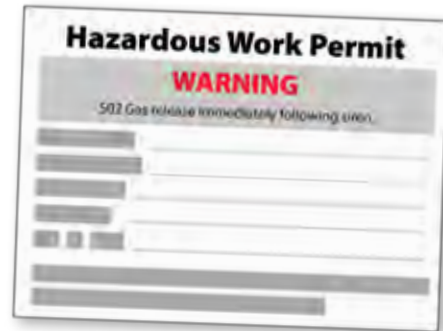


**QUESTION 10**

You will be working in a hazardous area.

What type of permit might you need to get?

You may need to get a hazardous work permit.





# Lift and move load

## Element 2

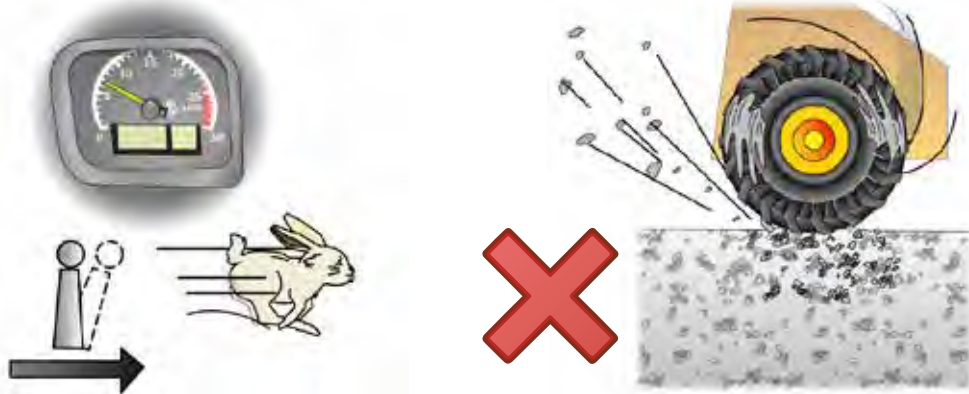




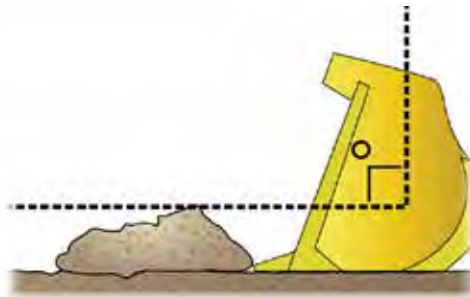
**QUESTION 62**

What steps do you take to safely pick up, move, and dump materials with a bucket?

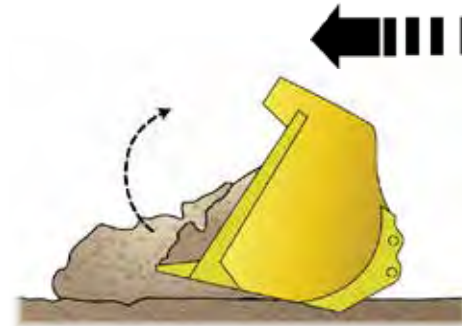
1. Build up engine RPM and correct speed. Try not to spin the wheels.



2. Make sure the bucket is at the right level and angle.



3. Crowd the bucket upwards while moving forward.



...CONTINUES ON NEXT PAGE

**QUESTION 62****...CONTINUED FROM PREVIOUS PAGE**

What steps do you take to safely pick up, move, and dump materials with a bucket?

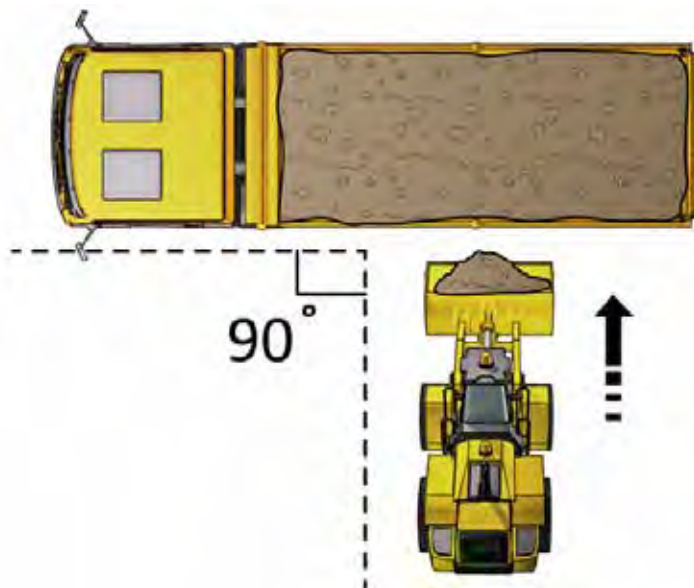
4. Pick up the load.



5. Move the load at low speed and with the bucket low.



6. Approach the truck or trench from a 90 degree angle.

**...CONTINUES ON NEXT PAGE**

**QUESTION 62****...CONTINUED FROM PREVIOUS PAGE**

What steps do you take to safely pick up, move, and dump materials with a bucket?

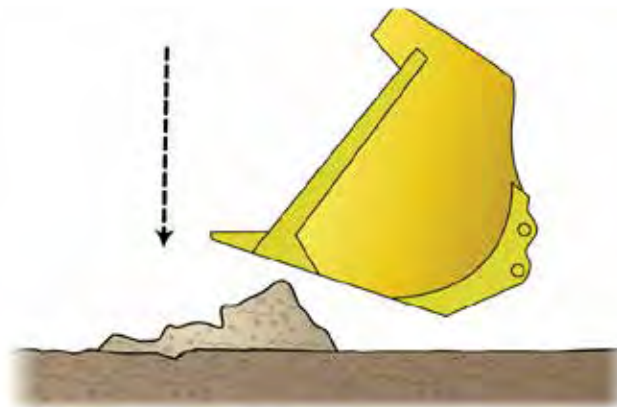
7. Raise the load slowly.



8. If dumping the load into a truck make sure you are on a flat level surface away from trenches and excavations.



9. Tilt the bucket to dump.

**...CONTINUES ON NEXT PAGE**