

SKID STEER LOADER

Learner Workbook



Student Copy

RIIMPO318F –
Conduct civil construction skid steer operations



This resource was developed by:



Version 2.1 – June 2022



Learner Name: _____

Student Number: _____ Date: _____

Contents

Application / Context of Assessment.....	4
Assessment Conditions	4
Summary of Practical tasks to be performed.	5
Equipment description	6
Assessor’s qualifications and assessment conditions	6
Assessment Guidelines	6
Knowledge Assessment	8
Knowledge Assessment Instructions	8
Written / Practical Assessment Summary – Competency Sign Off.....	49

Knowledge Assessment



Question 1

What do codes of practice explain?



Question 2

What do Australian Standards explain?



Question 3

What are some examples of documentation you should read before doing earthmoving work?



Question 4

Why should you check the operator’s manual before using earthmoving equipment?



Question 5

What are quality requirements?



Question 6

What kinds of information do you need before starting work?



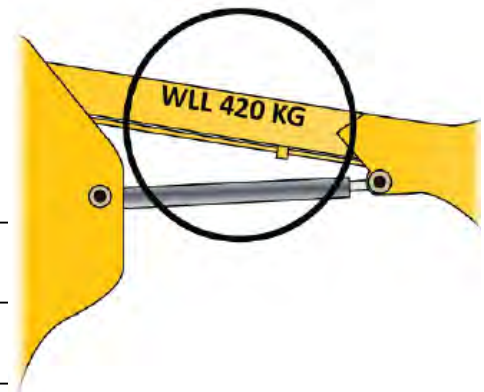
Question 7

What do the job’s work instructions explain?



Question 8

How can you find out the maximum safe working load (SWL) of the skid steer loader?



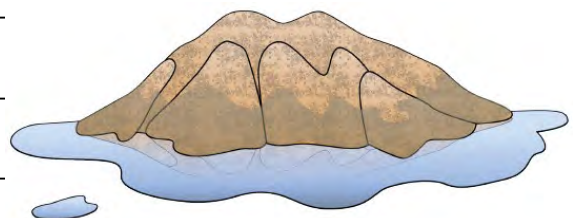
Question 9

How can you find out the weight of a load?



Question 10

How much does a cubic metre of wet sand usually weigh?



Question 11

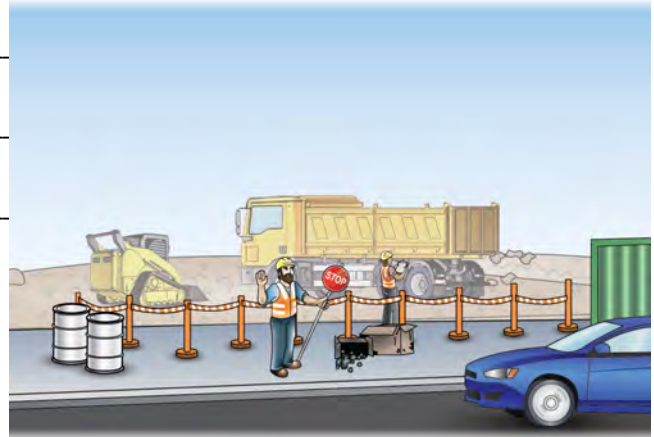
How can you find out the specifications and limits of the machine you will use? Specifications include things like:

- Load capacity
- Bucket height, volume and width
- Lift height
- Dump clearance.



Question 12

What does the traffic management plan (TMP) tell you?



Question 13

What can you do to control traffic in and around a worksite?

Question 14

What are the National Work Health (WHS) and Occupational Health and Safety (OHS) Acts about?

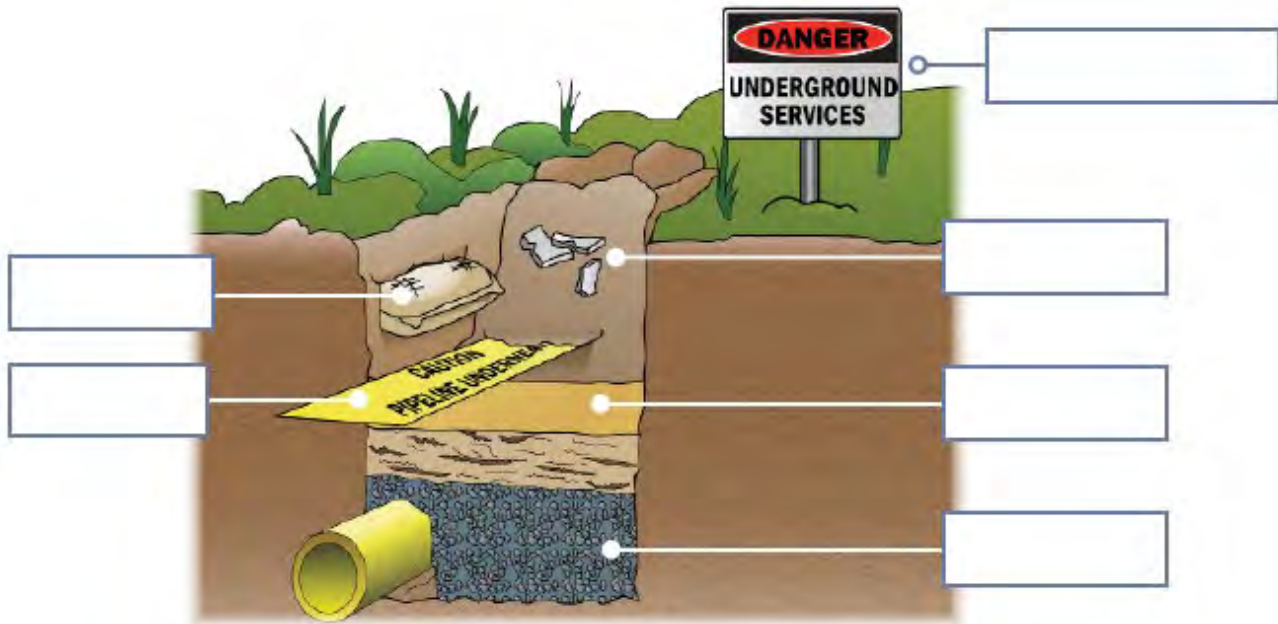


Question 15

Under WHS/OHS laws, what are your responsibilities while working?

Question 27

How can you tell you are near an underground service?



Question 28

What should you use to excavate if you think there's an underground service nearby?



Question 29

You are operating an excavator and it touches live powerlines. What do you do?



Question 33

Is it safe to refuel the engine while it's running?



Question 34

The bucket is full and raised and a hydraulic hose starts to squirt fluid. What do you do?



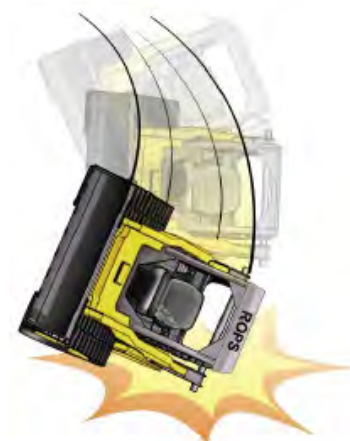
Question 35

You should never lift people in the bucket. Why?



Question 36

Which safety devices on a skid steer loader protect you from being crushed if it rolls over?



Question 73

Which way should you travel when driving on sloping ground?



Question 74

What could happen if you use the skid steer loader on uneven or sloping ground?



Question 75

What do you do before starting, going forward and reversing a skid steer?

Beep Beep Beep!

Question 76

How can you communicate and share information with your workmates?



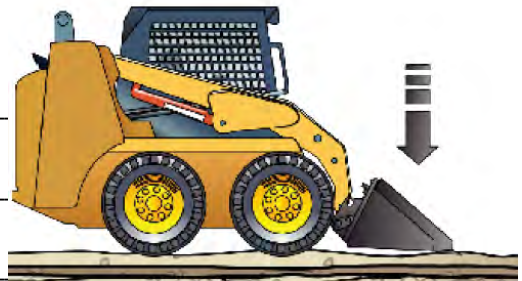
Question 90

One of your workmates is in a trench that is over 1.5 metres deep. How do you lower pipes safely into the trench?



Question 91

How do you spread soil and level a surface?



Question 92

What steps do you take when shutting down the skid steer loader?



Written / Practical Assessment Summary – Competency Sign Off

FILES TO BE SUBMITTED.

Written Assessment

1 x Written quiz assessment

Practical Work

2 x activity’s performed in work place or simulated environment (Video footage of candidate performing work order)

Name of Video File 1: _____

Name of Video File 2: _____

Documents that need to be submitted.

2 x Copy’s of work order

1 x Trainer’s Assessment Work book filled in of candidate’s assessment.

Written / Practical Assessment Summary		Satisfactory	Not Satisfactory
0. Written Quiz		<input type="checkbox"/>	<input type="checkbox"/>
1. Pre-Start		<input type="checkbox"/>	<input type="checkbox"/>
2. Drive and operate skid steer loader		<input type="checkbox"/>	<input type="checkbox"/>
3. Complete operations to specification		<input type="checkbox"/>	<input type="checkbox"/>
4. Attachments		<input type="checkbox"/>	<input type="checkbox"/>
5. Load, unload and relocate skid steer loader		<input type="checkbox"/>	<input type="checkbox"/>
6. Housekeeping		<input type="checkbox"/>	<input type="checkbox"/>
Competency:	Not Yet Competent <input type="checkbox"/> Date _____	Competent <input type="checkbox"/> Date _____	
Feedback to be given to candidate or to Workplace Supervisor			
Trainer / Assessor signature: Date:	The learner has been assessed as <input type="checkbox"/> Not Yet competent / <input type="checkbox"/> competent in the elements and performance criteria, critical aspects for assessment, required skills and knowledge for this unit and the evidence presented is: <input type="checkbox"/> Authentic <input type="checkbox"/> Valid <input type="checkbox"/> Reliable <input type="checkbox"/> Current <input type="checkbox"/> Sufficient		