

# LEARNER GUIDE



# Scraper TICKET



Training support material for:

RIIMPO325E

Conduct civil construction  
scraper operations

Produced by:



# Contents

How to use this guide	4
Language – Literacy – Numeracy (LLN)	6
Acknowledgements	8
Introduction to scrapers	9
Basics of road construction	17
Chapter 1 Plan and prepare for scraper operations	29
Chapter 2 Operate scraper	73
Chapter 3 Couple machines	125
Chapter 4 Relocate the scraper	149
Chapter 5 Carry out machine operator maintenance	159
Chapter 6 Conduct housekeeping activities	175

# Introduction to Scrapers

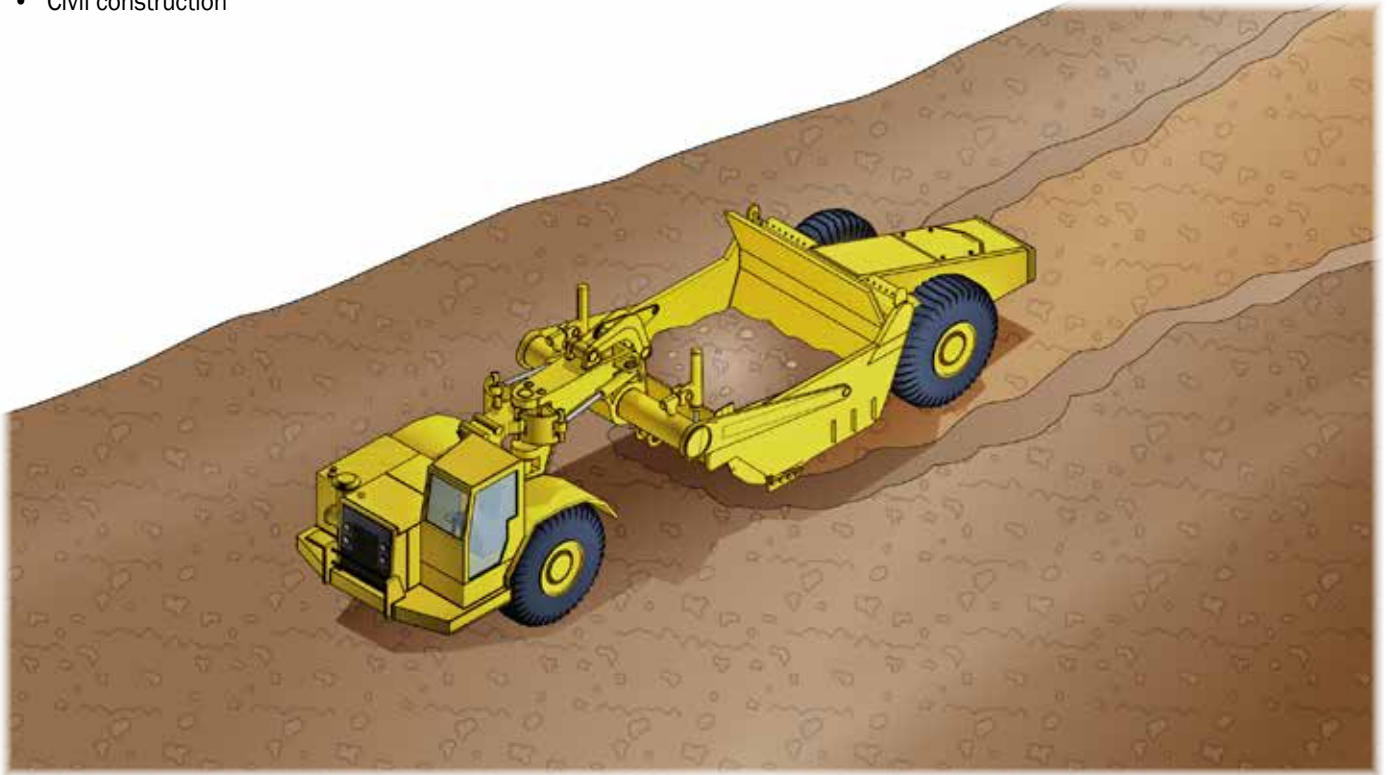


## Introduction to scrapers

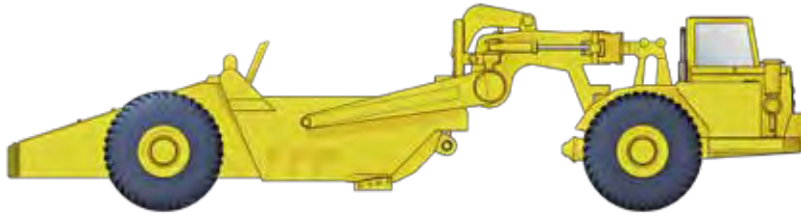
A scraper is a machine which scrapes and moves soil.

### What industries do you use a scraper in?

- Civil construction



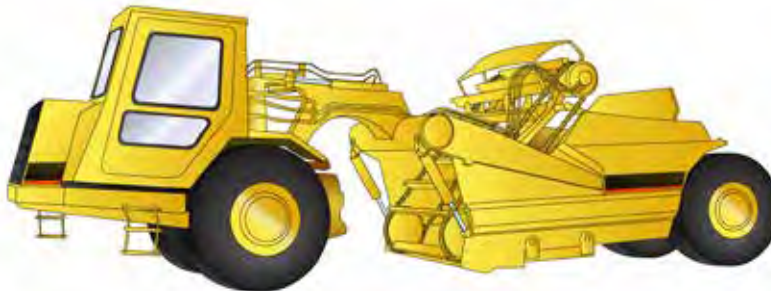
## Types of scrapers:



*Single engine scraper*

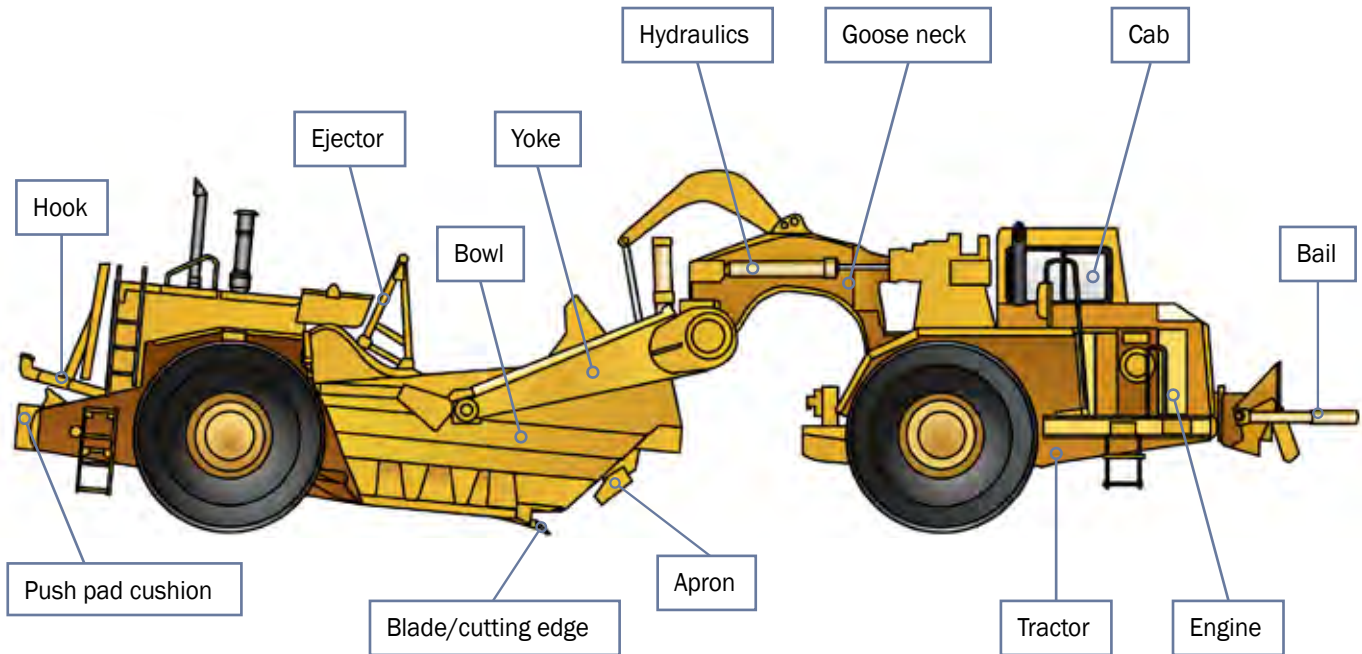


*Dual engine scraper*



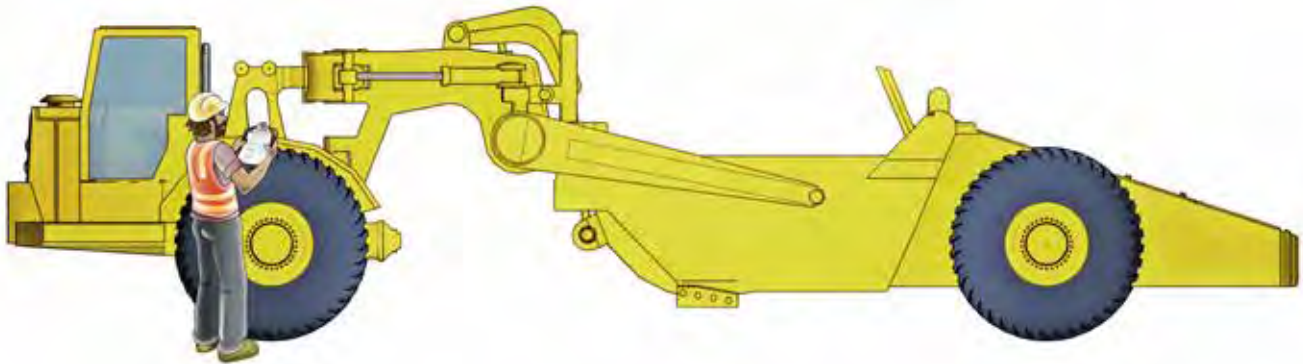
*Elevating scraper*

## An example of a scraper



# Operate scraper

## Chapter 2

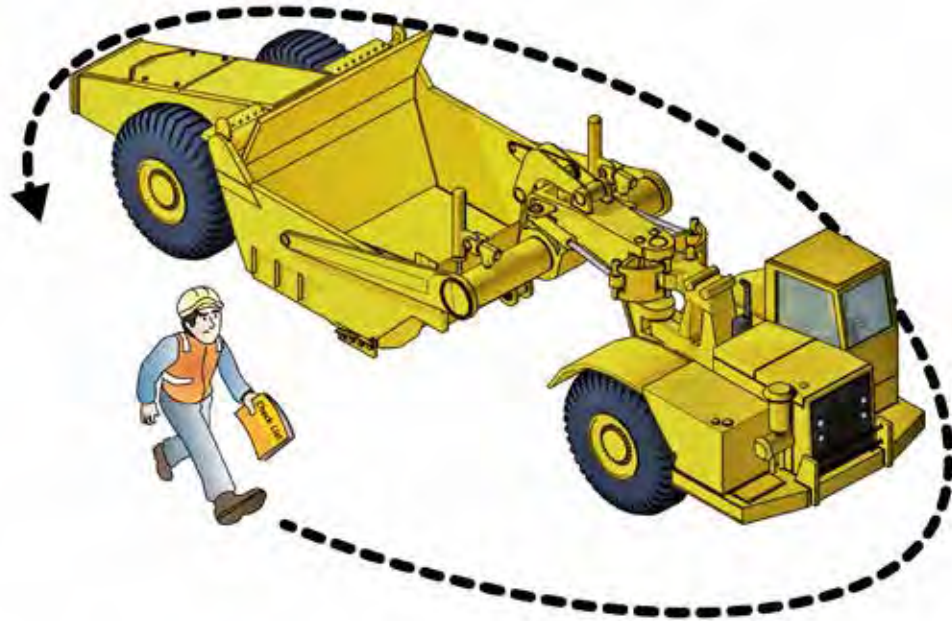




**QUESTION 30**

What is the first check you do on the machine?

Walk around it and check for obvious problems.

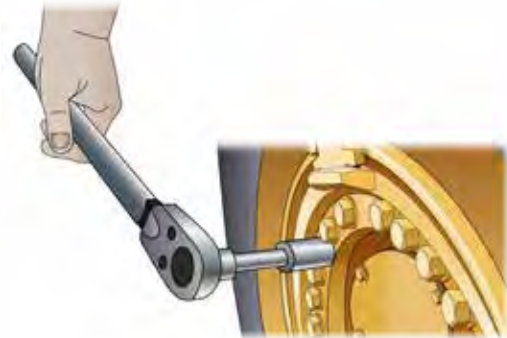




**QUESTION 31**

What are some pre-operational checks you do before using the scraper?

Tyre condition, tyre pressure and wheel nuts



Look for leaks under the machine



Check transmission oil



...CONTINUES ON NEXT PAGE

**QUESTION 74**

Which safety devices on a scraper protect you from being crushed if it rolls over?

The roll over protective structure (ROPS) and the seat belt.  
Always wear the seat belt when using a scraper!

