

# LEARNER GUIDE



# Scraper

TICKET



RIIMPO325E

Conduct civil construction  
scraper operations



**EASY  
GUIDES**

Australia Pty Ltd

Industry Training Resources



# Contents

How to use this guide	4
Language – Literacy – Numeracy (LLN)	6
Acknowledgements	8
Introduction to scrapers	9
Basics of road construction	17
Chapter 1 Plan and prepare for scraper operations	29
Chapter 2 Operate scraper	73
Chapter 3 Couple machines	125
Chapter 4 Relocate the scraper	149
Chapter 5 Carry out machine operator maintenance	159
Chapter 6 Conduct housekeeping activities	175

# Introduction to Scrapers

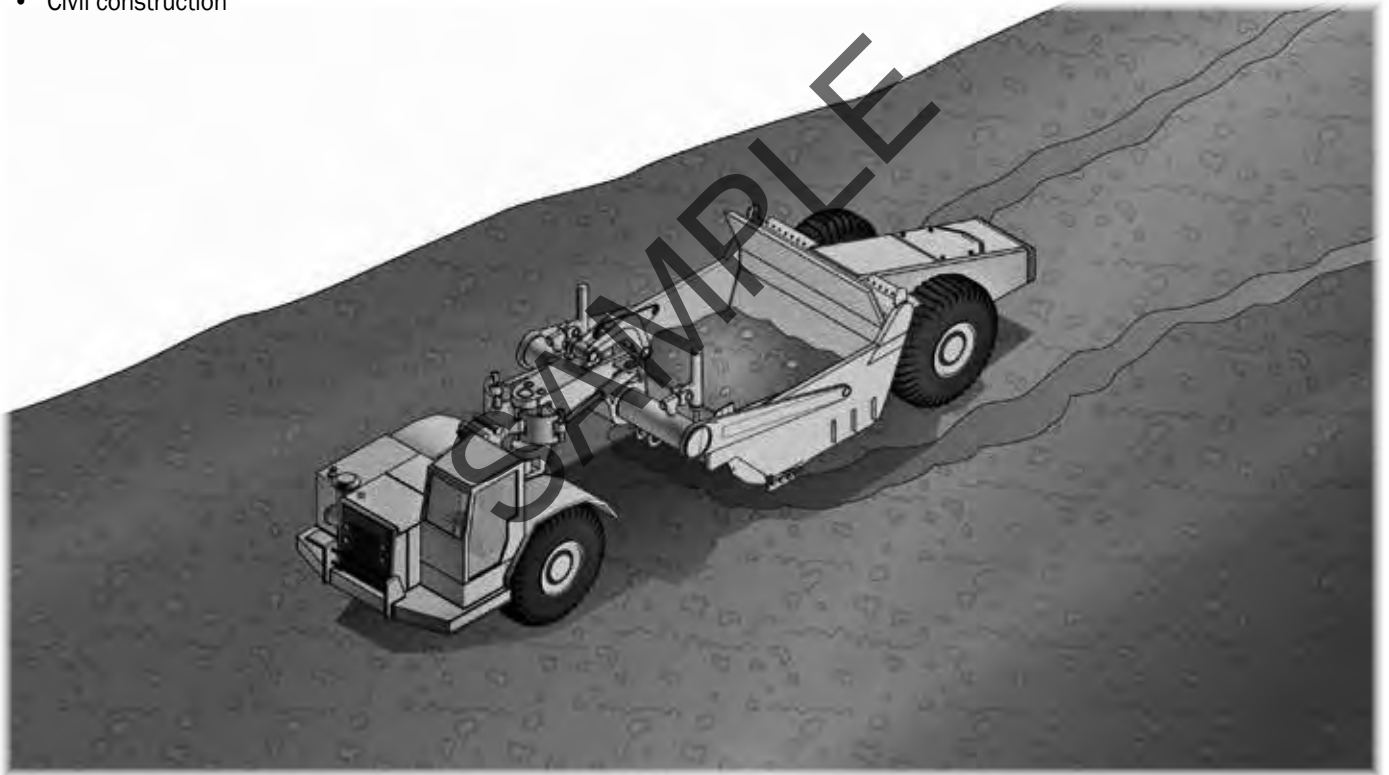


## Introduction to scrapers

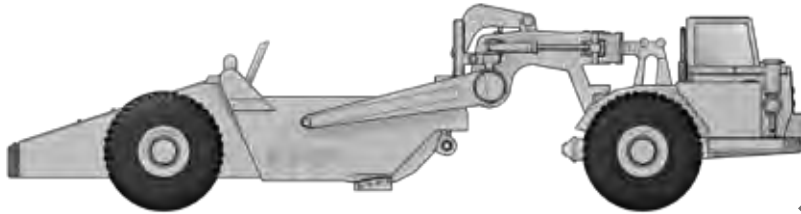
A scraper is a machine which scrapes and moves soil.

### What industries do you use a scraper in?

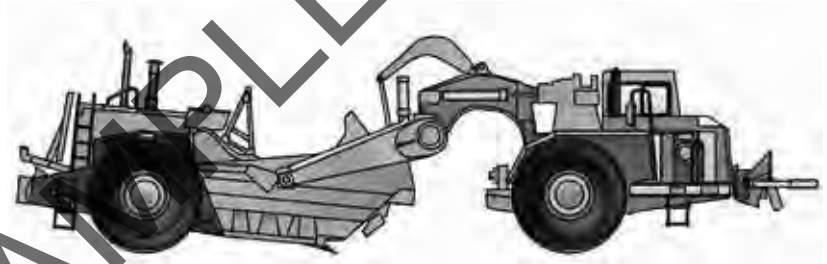
- Civil construction



## Types of scrapers:



*Single engine scraper*

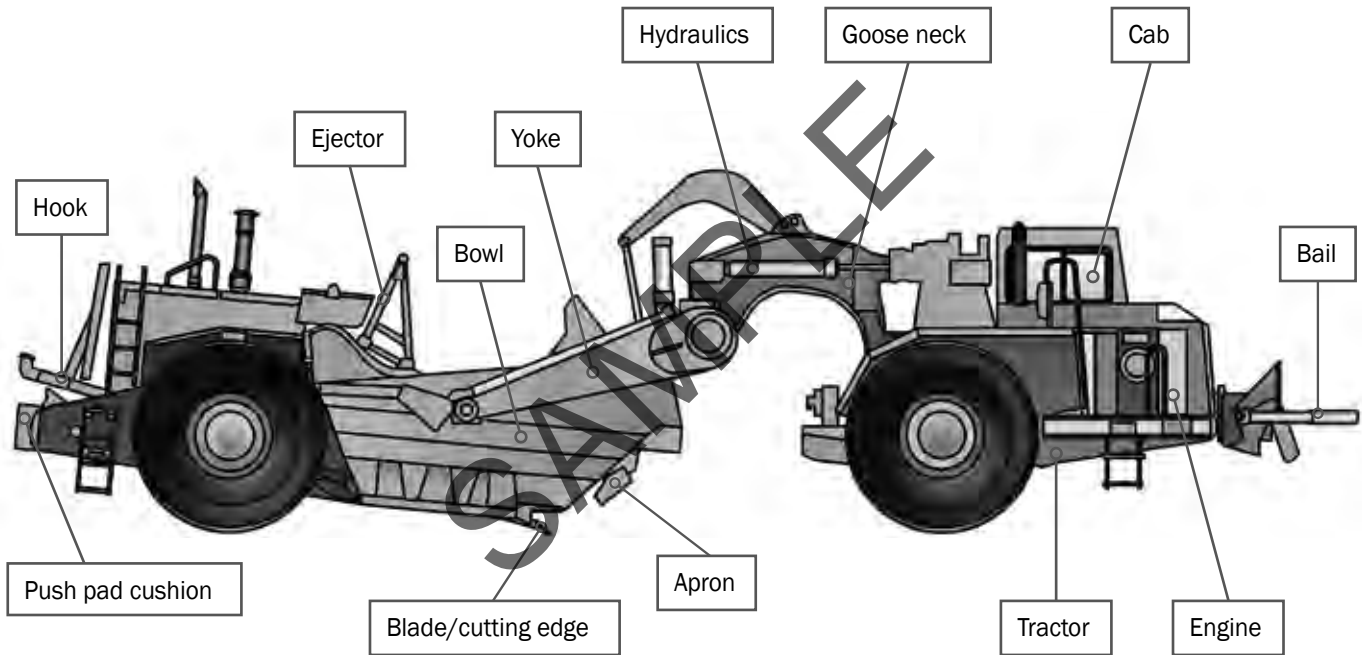


*Dual engine scraper*



*Elevating scraper*

## An example of a scraper



# Plan and prepare for scraper operations

## Chapter 1



**QUESTION 12**

What do the job's work instructions explain?

Work instructions explain:

What to do in unexpected situations like bad weather

What the job is

Where the job is



How to do the job safely

How long the job will take

What tools and equipment you need

How to do the job from start to finish



**QUESTION 13**

What does the safety plan tell you?

The safety plan tells you how the worksite intends to meet all the safety rules. It tells you:

What personal protective equipment (PPE) to wear



...CONTINUES ON NEXT PAGE

**QUESTION 13****...CONTINUED FROM PREVIOUS PAGE**

What does the safety plan tell you?

How to use tools, plant and equipment safely



Emergency procedures and exits



How to park safely and where to park



Control hazards and risks

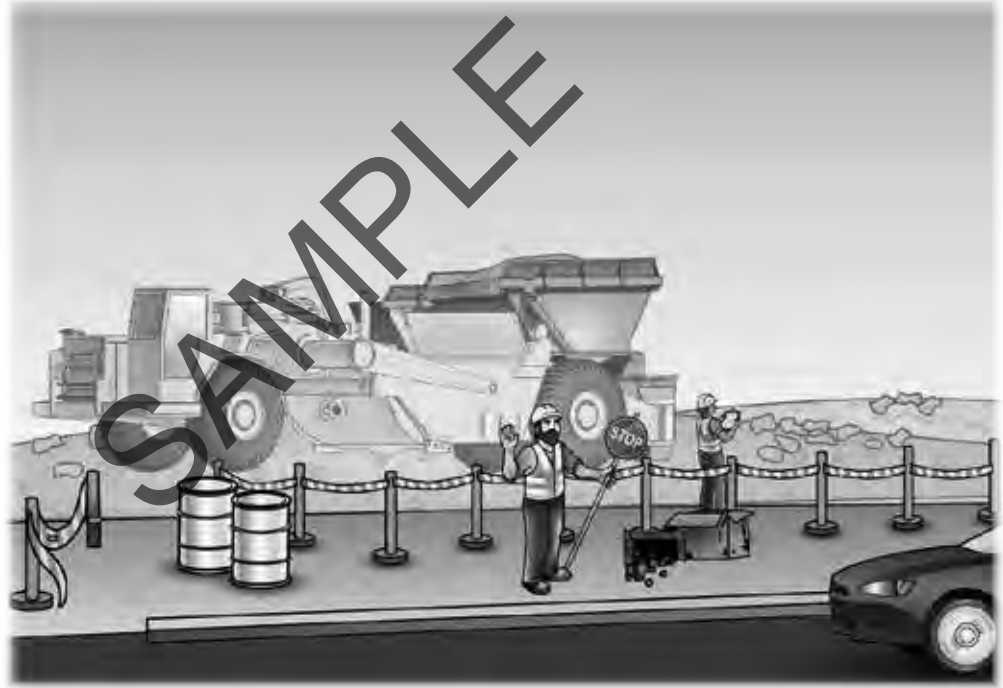


**QUESTION 14**

What does the traffic management plan (TMP) tell you?

It tells you how to control vehicles in and around the worksite. It helps keep the site safe for you and others.

You may require a traffic control licence in your state or territory.



## Tools and equipment

Here are some typical tools and equipment you might need.

### Personal protective equipment (PPE)

- Steel cap boots
- High visibility safety vest
- Hearing protection
- Hard hat
- Goggles/glasses
- Gloves
- Dust mask



### Hand tools

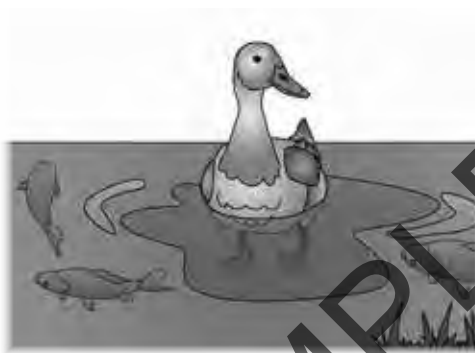
- Shovel and levels
- Socket sets
- Screwdrivers or wrenches
- Wire brush



**QUESTION 21**

What does the environmental management plan (EMP) tell you?

Possible risks to the environment on the worksite



How to work in a way that reduces damage to the environment



How the worksite meets all environmental protection laws



Who is responsible for what?



**QUESTION 22**

What environmental challenges should you be careful of when working?

