

SCAFFOLDING INTERMEDIATE SAFETY AND LICENCE GUIDE



Training support material for:

CPCCLSF3001
Licence to erect, alter
and dismantle scaffolding
intermediate level

Produced by:



CONTENTS

About this guide	4
Language – Literacy – Numeracy (LLN)	5
Introduction to intermediate scaffolding	7
High risk licensing and the law	19
Element 1 Plan task	29
Element 2 Select and inspect equipment	71
Element 3 Set up task	89
Element 4 Undertake intermediate scaffolding activities	97
Element 5 Complete task	145
Test yourself – Learning tasks	155
Glossary	173

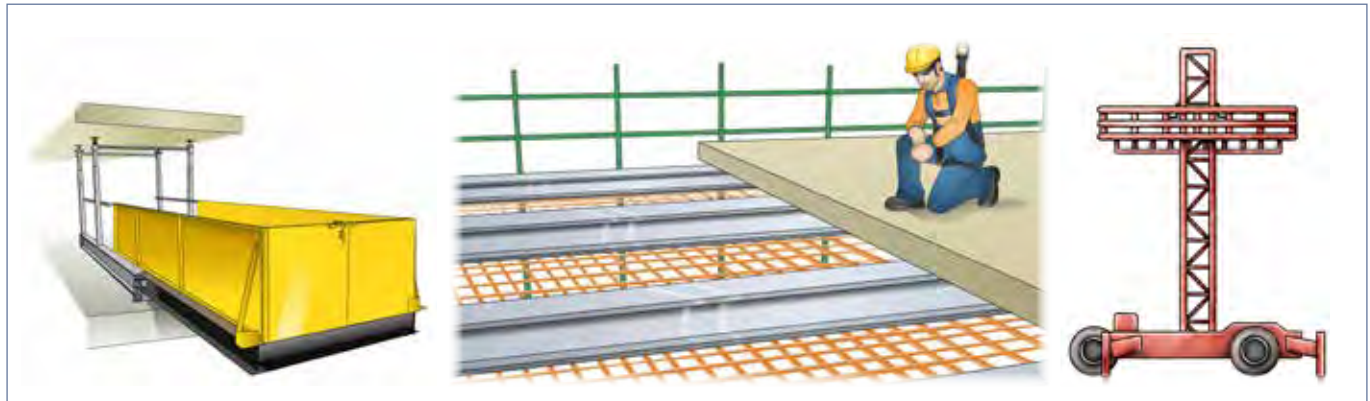
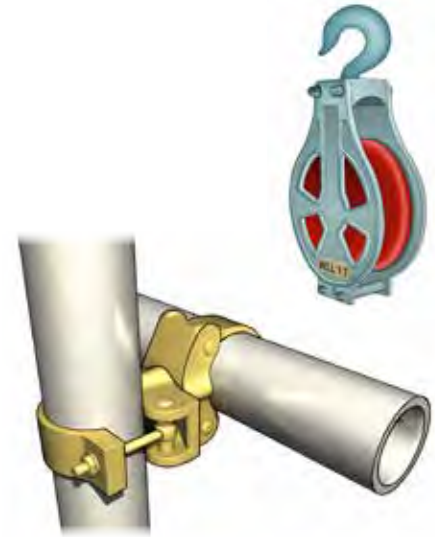
INTRODUCTION TO INTERMEDIATE SCAFFOLDING



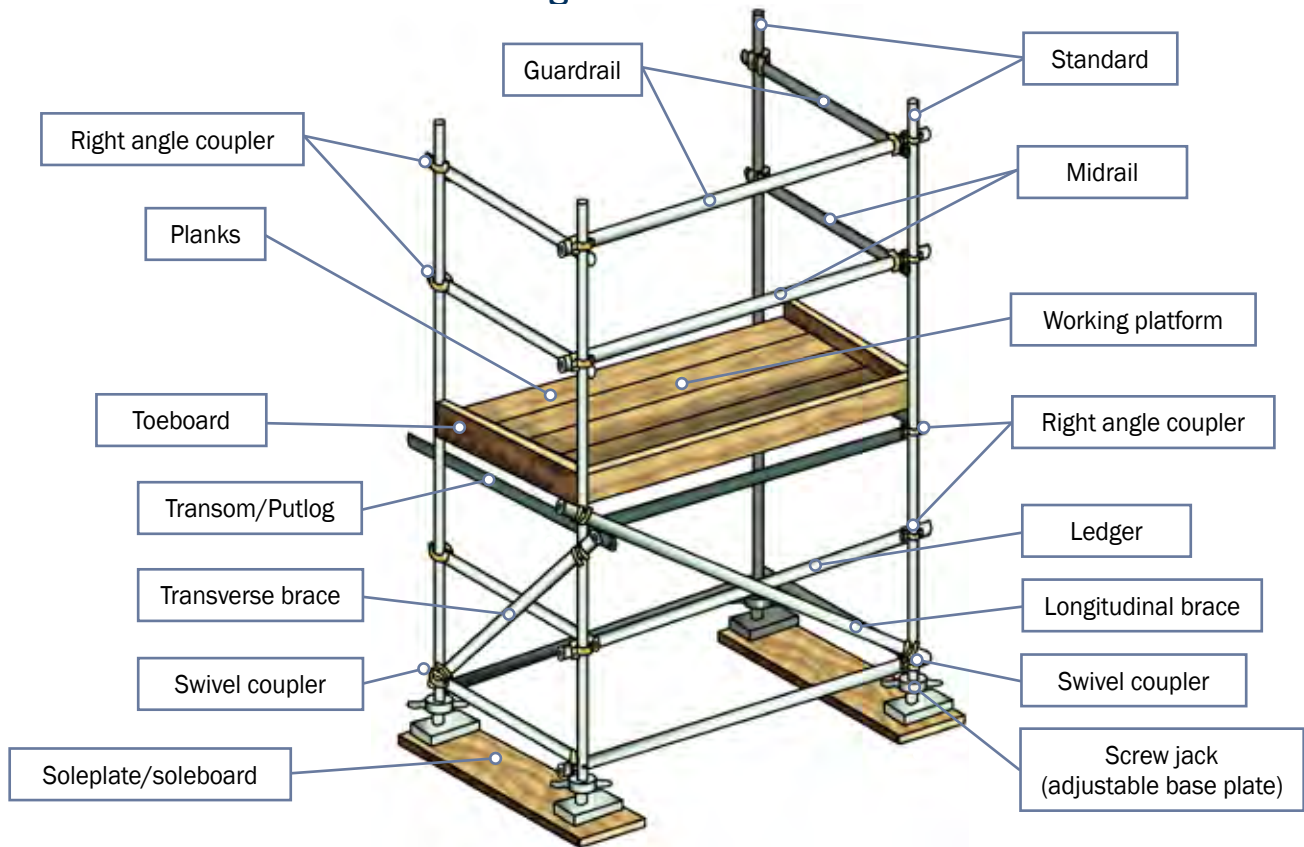
What is intermediate scaffolding?

Intermediate scaffolding is scaffolding work associated with:

- Prefabricated scaffolds
- Tube-and-coupler scaffolds including tube-and-coupler covered ways and gantries
- Cantilevered hoists with a working load limit not exceeding 500 kg (materials only)
- Scaffolding associated with perimeter safety screens and shutters
- Ropes
- Gin wheels
- Safety nets and static lines
- Bracket scaffolds (tank and formwork)
- Cantilevered crane loading platforms
- Cantilevered and spurred scaffolds
- Barrow ramps and sloping platforms
- Mast climbers



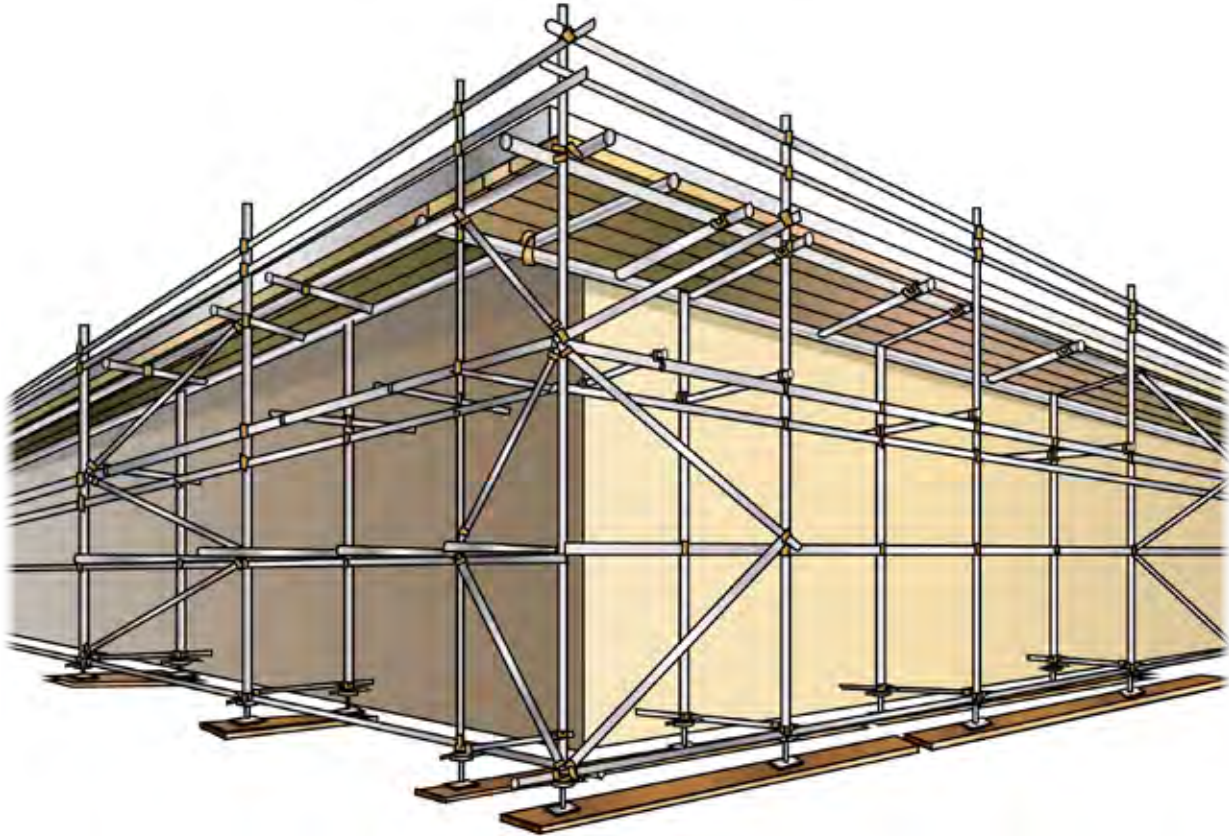
Parts used in intermediate scaffolding



Note: Throughout this guide certain aspects have been left off scaffold images for clarity purposes.

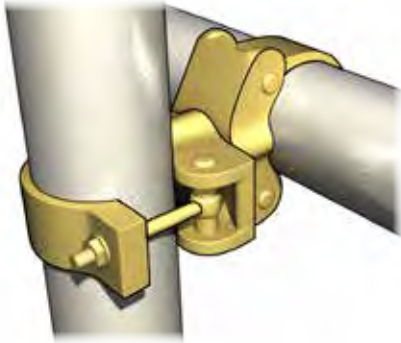
Tube-and-coupler scaffolding

A tube-and-coupler scaffold is constructed with standards, ledgers, braces and ties that are steel tubes joined together with purposed-designed couplers.

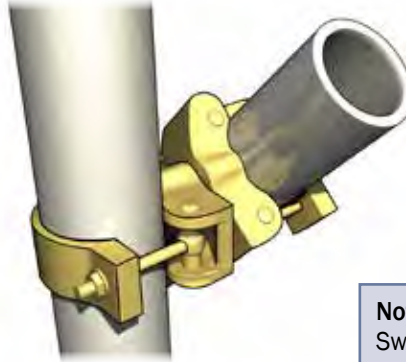


Examples of couplers

Right angle coupler - 90°

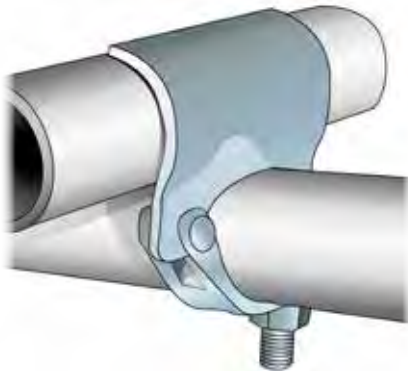


Swivel coupler - tubes at 45° or any angle required

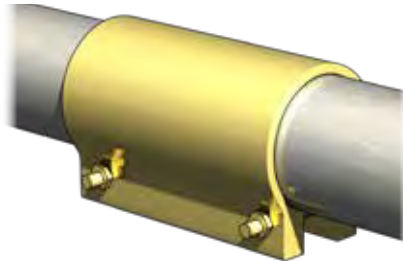


Note:
Swivel couplers are **not** load bearing

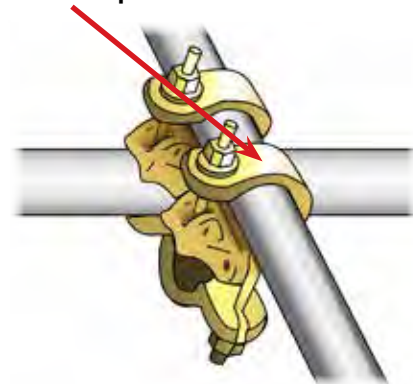
Putlog coupler



External joiner



Check coupler



Explanation of bay and lift

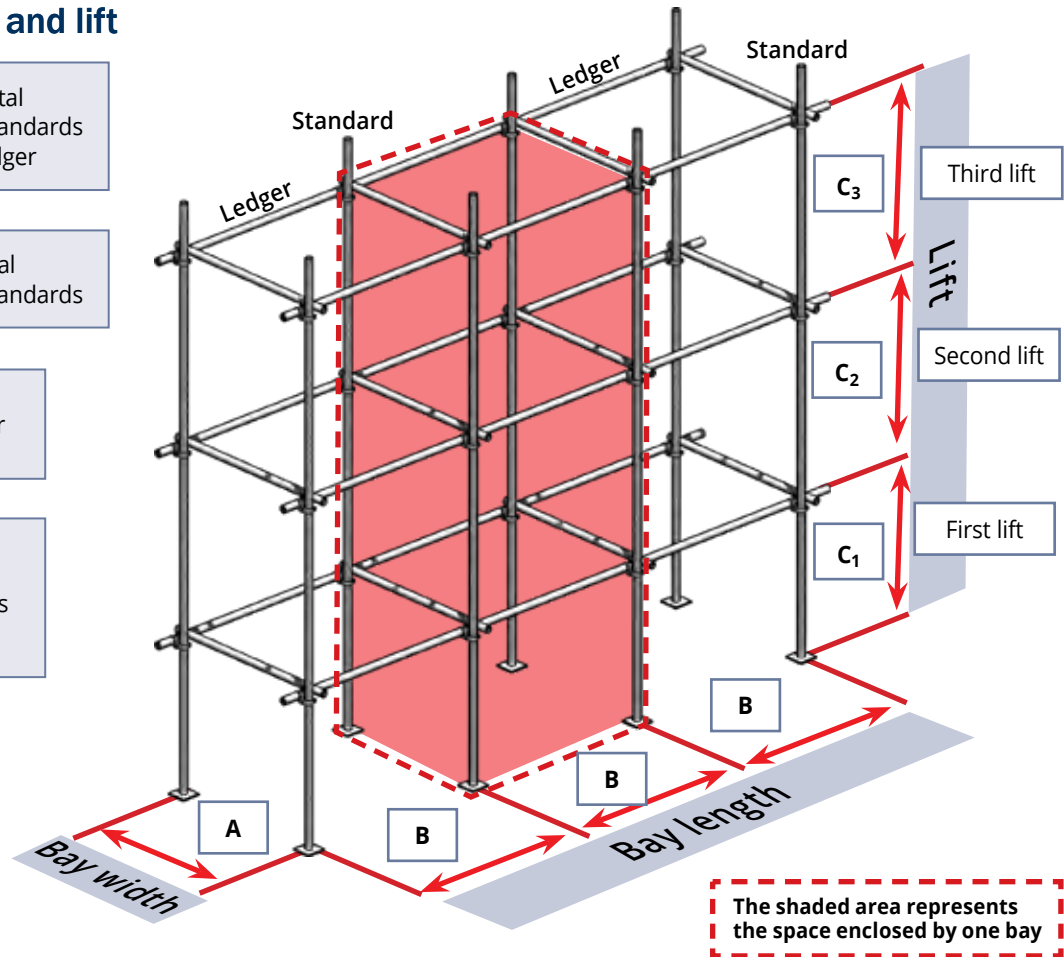
Bay length is the horizontal measurement between standards along the length of the ledger

Bay width is the horizontal measurement between standards

Bay
The space enclosed by four adjacent standards

Lift
The vertical distance between working platforms (usually 2 metres)

- A - Bay width
- B - Bay length
- C₁ - First lift
- C₂ - Second lift
- C₃ - Third lift



Scaffolding terminology

These scaffolding terms begin with components at ground level and move up from there.

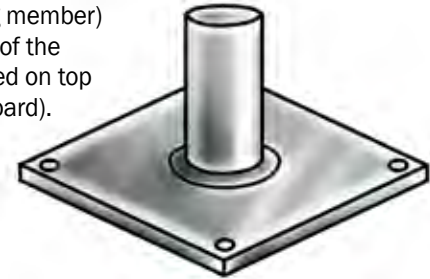
Soleplate (soleboard)

A timber board used under a baseplate or screw jack to distribute the weight of the scaffold on to the ground.



Baseplate

A plate with a locating pin placed underneath a standard (vertical load bearing member) to spread the weight of the scaffold usually placed on top of a soleplate (soleboard).



Adjustable baseplate (screw jack)

A threaded bar with a large nut that fits inside a standard, to level a scaffold.



Board (plank)

Is constructed of timber and used to span across transoms to form a working platform (deck). These boards cannot be less than 220 mm in width.



Note:

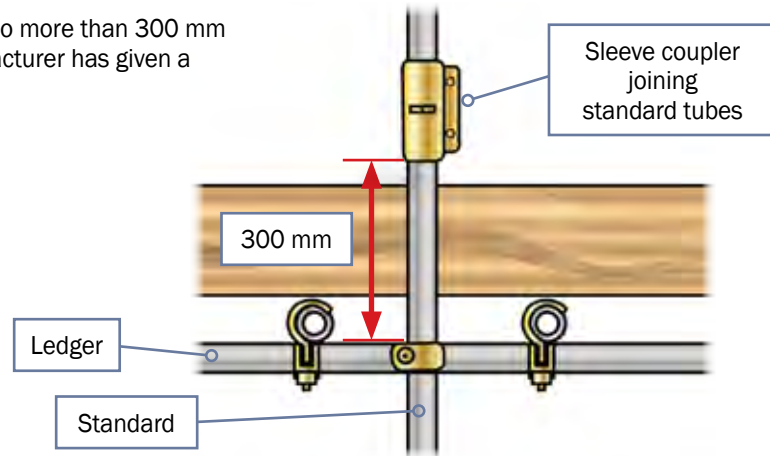
Steel planks are **not** used in tube and coupler scaffolding.

QUESTION 45

You need to join two **standards**.

How far can the join be from a ledger?

The join must be no more than 300 mm unless the manufacturer has given a different distance

**QUESTION 46**

You need to join two pieces of tube to make a **ledger**.

How far can the join be from a standard?

The join must be no more than 300 mm unless the manufacturer has given a different distance

