

SAFETY AND LICENCE GUIDE



Scaffolding - Basic LICENCE

CPCCLS2001

Licence to erect, alter and
dismantle scaffolding basic level



Contents

How to use this guide	4
Language – Literacy – Numeracy (LLN)	5
Introduction to basic scaffolding	9
High risk licensing and the law	13
Element 1 Plan task	19
Element 2 Select and inspect plant and equipment	85
Element 3 Set up task	97
Element 4 Undertake basic scaffolding activities	113
Element 5 Complete task	159
Test yourself – Learning tasks	165
Acknowledgements	7

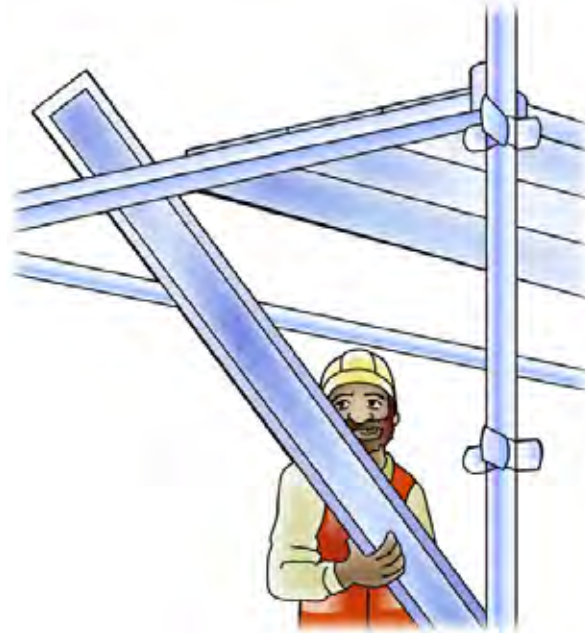
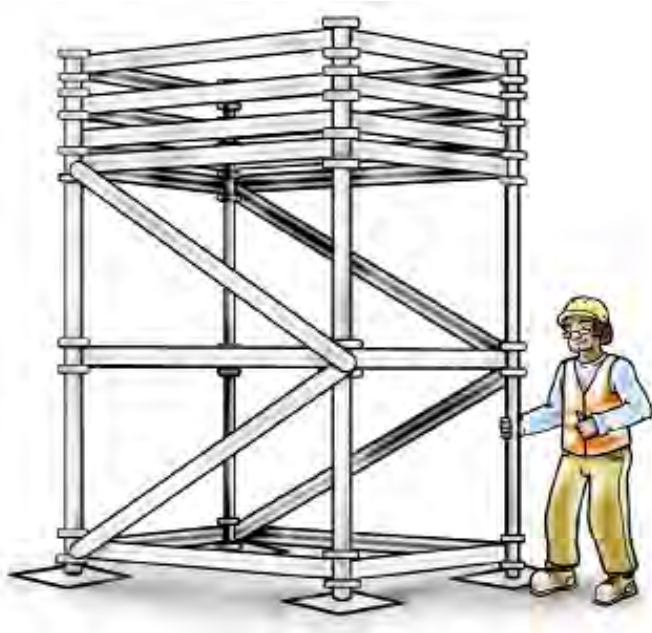
INTRODUCTION TO BASIC SCAFFOLDING



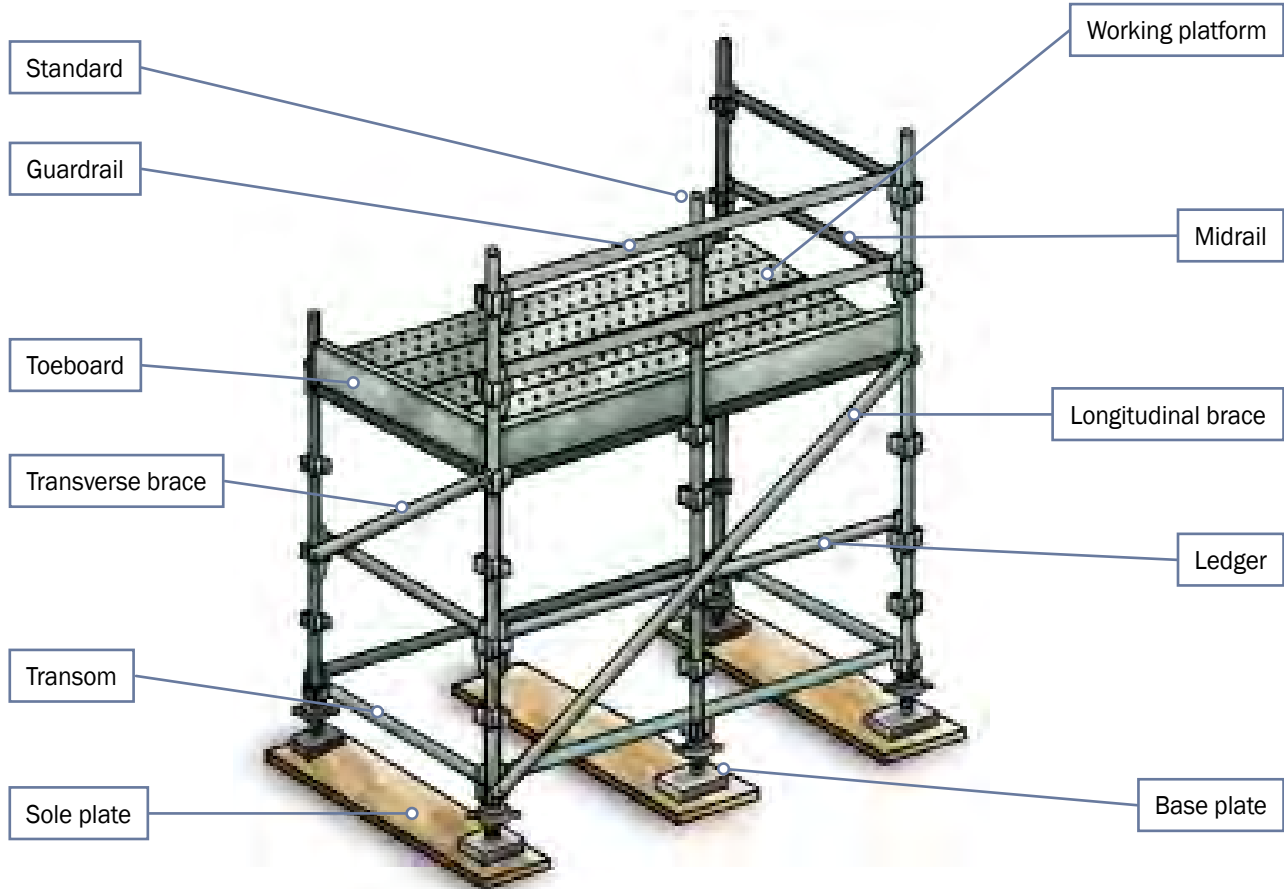
What is basic scaffolding?

Basic scaffolding is work with:

- Prefabricated scaffolds
- Cantilevered hoist with a working load limit not exceeding 500 kg (materials only)
- Ropes
- Gin wheels
- Safety nets and static lines



Parts of basic scaffolding



PLAN TASK

Element 1

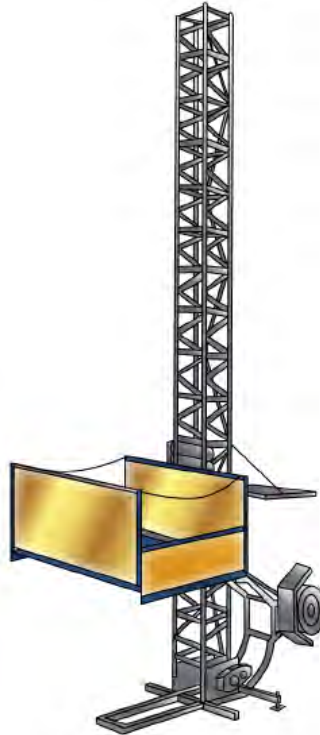


QUESTION

Name some jobs a basic scaffolder can do and **not** break the law.

A basic scaffolder is allowed to:

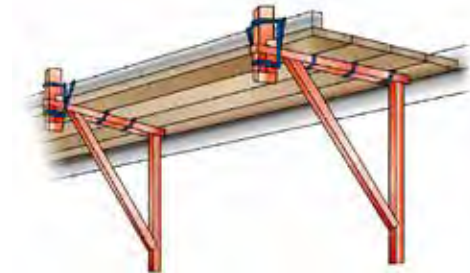
Use cantilevered hoists with a maximum load of less than 500 kg.



Use static lines and safety nets.



Use bracket scaffolds including tank and formwork.



...CONTINUES ON NEXT PAGE

QUESTION

Where will you find the working load limit (WLL) for:

- a) A hoist or gin wheel
- b) A working platform (for a modular scaffold)

a) It will be marked on the hoist or gin wheel.



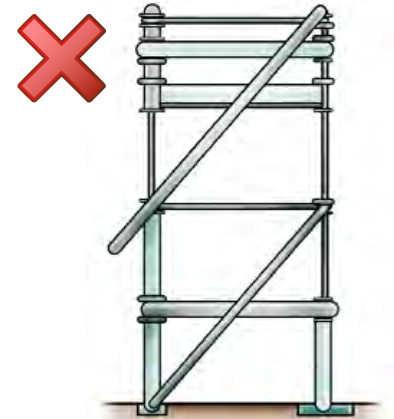
b) In the information given by the manufacturer of the platform.

**QUESTION**

You are working with prefabricated scaffolding systems.

Can you mix parts of different systems unless the supplier or an engineer says you can?

No.



SET UP TASK

Element 3

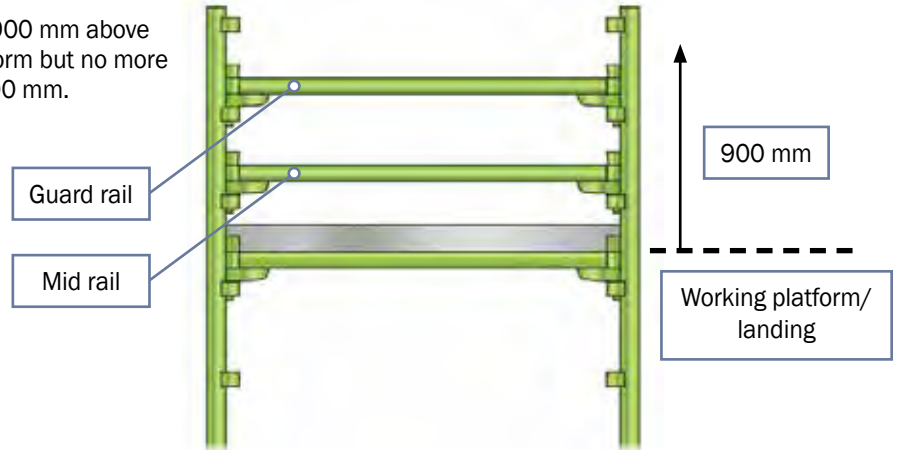


QUESTION

You are setting up the guard rail on a work platform.

How high above the work platform does the guard rail need to be?

At least 900 mm above the platform but no more than 1100 mm.

**QUESTION**

You are going to use a toe board on a working platform.

How high does the toe board need to be?

The toe board needs to be 150 mm higher than the platform.

