

SLEWING MOBILE CRANE (20T) SAFETY AND LICENCE GUIDE

Training support material for:

TLILIC0022

Licence to operate a slewing mobile crane
(up to 20 tonnes)



Produced by:



CONTENTS

| | |
|--|-----|
| Introduction to Slewing Mobile Crane (up to 20 tonnes) | 5 |
| | |
| High Risk Licensing and the Law | 9 |
| | |
| Element 1 – Plan work /task | 23 |
| | |
| Element 2 – Prepare for work /task | 105 |
| | |
| Reading Load Chart – for cranes up to 20 tonnes | 183 |
| | |
| Element 3 – Perform work/task | 197 |
| | |
| Element 4 – Pack up | 239 |

Introduction to Slewing Mobile Crane (up to 20 tonnes)

What is a slewing mobile crane

A slewing mobile crane is a powered crane which features a boom or jib that can slew from front to back. The crane is mounted on a vehicle.

Slewing mobile crane



Crawler crane

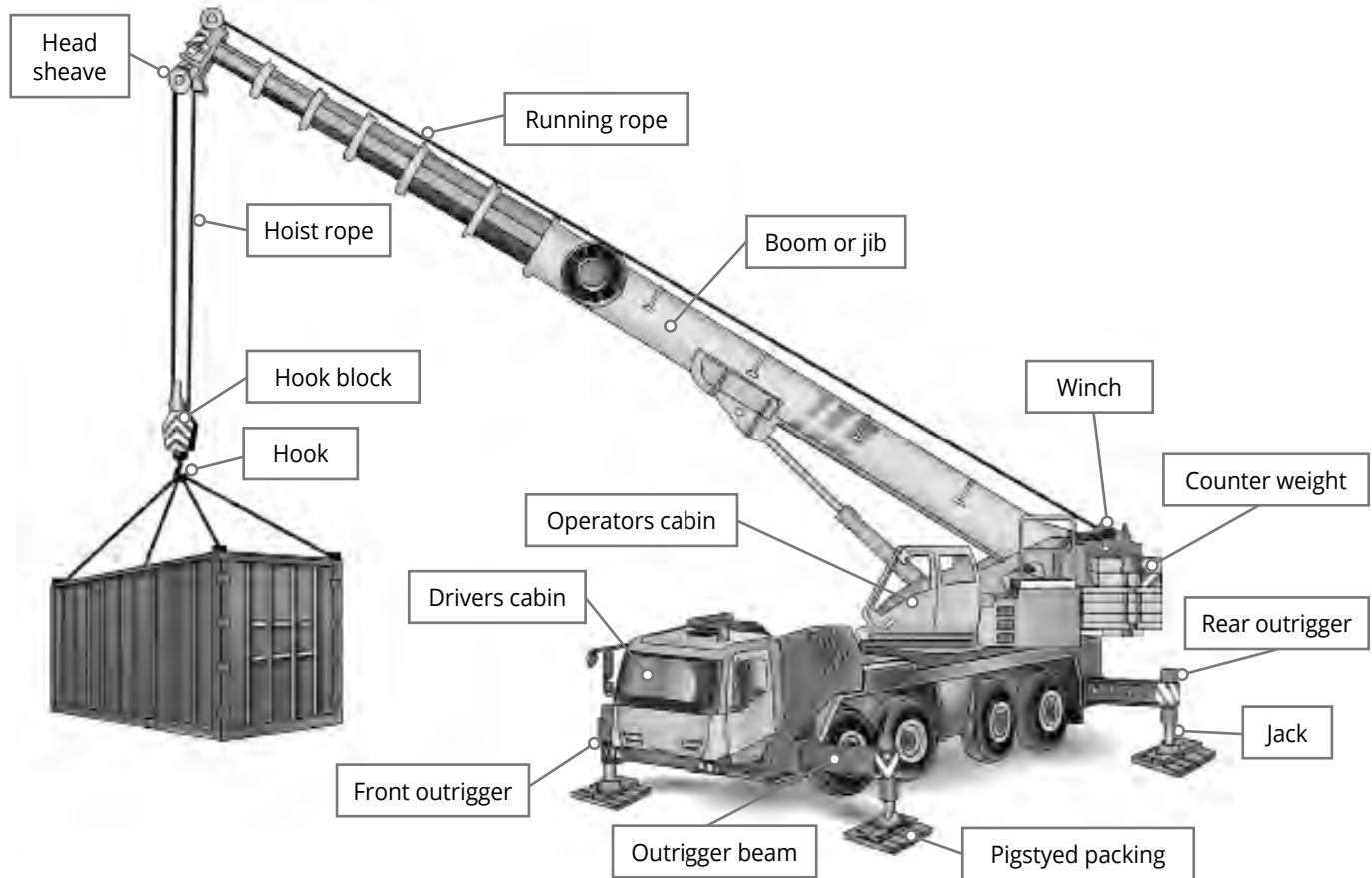


Rough terrain slewing crane



This learner resource does not cover front-end loader, backhoe, excavator or similar equipment when configured (arranged or set up) for crane operations.

Parts of a slewing mobile crane



Element 1 – Plan work /task

Set up the crane for the task

The configuration (set up) of the crane determines how much you can lift.

Set up the crane so the load will **never** be more than the Safe working load (SWL) of the crane.

Setting up the crane includes:

- Positioning the boom/ over the load correctly
– boom length and radius
- Working out the centre of gravity
- Looking at the load chart to see if the crane can support the load
- Checking the rated capacity of the crane
- Setting up the counterweights to keep the crane balanced.

Note:

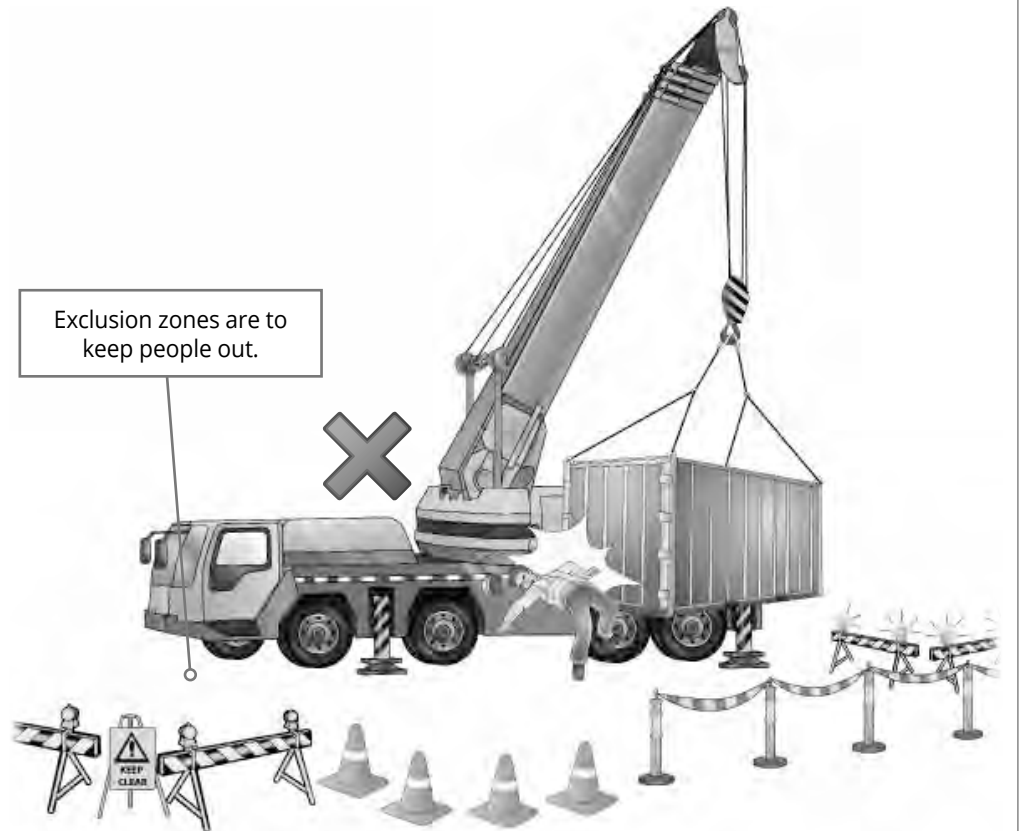
A licenced dogger is responsible for selecting, inspecting and setting up the lifting gear.



QUESTION 34

What hazards (dangers) are there if people work near the outriggers or chassis of a slewing crane?

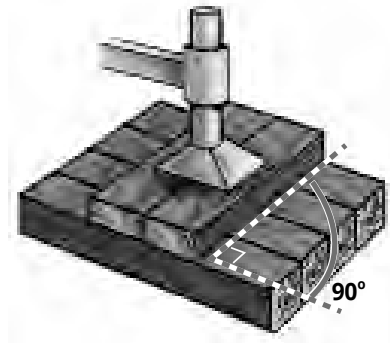
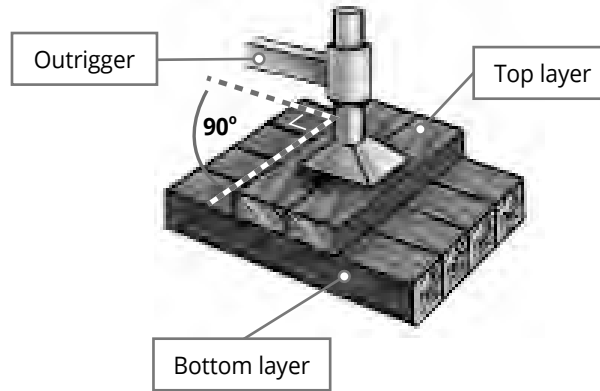
The crane or load could hit or crush a person between the crane and outrigger. Individuals should stay **outside** the exclusion zone.



QUESTION 89

What should the angle between the first (bottom) and second (top) layer of pigstyng be?

The angle should be 90 degrees between layers of pigstyng.



QUESTION 90

What information does a load chart usually have on it?

- The load chart shows:
- The winch line pull
 - The crane’s rated capacity
 - The hook block’s mass
 - Rope fall capacities. Multiple rope fall capacities (eg. 4-fall hook block).
 - Operating radius of the crane
 - Rubber ratings. The chart will tell you the most stable side to lift the load over. This will be part of the manufacturer’s specifications.



| CRANE LOAD CHART | | | | | | |
|---|------------|-----------|------------|-----------|------------|-----------|
| Showing Rated Lifting Capacity (in tonnes) on Fully Extended Outriggers | | | | | | |
| Radius | 10.1m Boom | | 18.1m Boom | | 26.0m Boom | |
| (m) | Over Rear | Over Side | Over Rear | Over Side | Over Rear | Over Side |
| 3.0 | 25.00 | 25.00 | 14.00 | 14.00 | | |
| 3.5 | 21.70 | 21.70 | 13.40 | 13.40 | | |
| 4.0 | 18.50 | 18.50 | 12.75 | 12.75 | | |
| 4.5 | 15.50 | 15.50 | 12.15 | 12.15 | | |
| 5.0 | 12.80 | 12.80 | 11.60 | 11.60 | 7.40 | 7.40 |
| 5.5 | 10.50 | 10.50 | 10.00 | 10.00 | 7.10 | 7.10 |
| 6.0 | 8.80 | 8.80 | 8.70 | 8.70 | 6.65 | 6.65 |
| 6.5 | 7.70 | 7.55 | 7.70 | 7.70 | 6.40 | 6.40 |
| 7.0 | 6.85 | 6.60 | 6.85 | 6.60 | 6.10 | 6.10 |
| 7.5 | 6.20 | 5.70 | 6.20 | 5.70 | 5.75 | 5.75 |
| 8.0 | 5.60 | 4.95 | 5.60 | 4.95 | 5.40 | 5.40 |
| 8.5 | 5.05 | 4.36 | 5.05 | 4.35 | 5.00 | 4.80 |
| 9.0 | | | 4.60 | 3.85 | 4.60 | 4.35 |
| 10.0 | | | 3.90 | 3.10 | 3.90 | 3.50 |
| 11.0 | | | 3.30 | 2.65 | 3.30 | 2.95 |
| 12.0 | | | 2.80 | 2.25 | 2.80 | 2.50 |
| 13.0 | | | 2.40 | 1.95 | 2.40 | 2.15 |
| 14.0 | | | 2.10 | 1.55 | 2.10 | 1.80 |
| 16.0 | | | | | 1.55 | 1.30 |
| 18.0 | | | | | 1.20 | 0.95 |
| 20.0 | | | | | 0.90 | 0.60 |
| 22.0 | | | | | 0.70 | 0.40 |
| 24.0 | | | | | 0.55 | 0.25 |

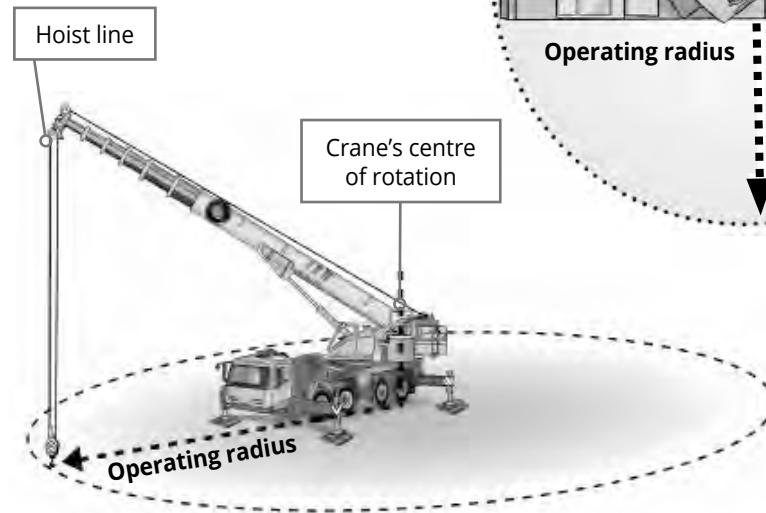
QUESTION 91

You are looking at the crane load chart.

What does operating radius mean?

The operating radius tells you how much weight the crane can lift, depending on the boom length and height.

The operating radius is the distance from the hoist line to the crane's centre of rotation. If the working radius is not shown on the load chart, use the longer operating radius as this reduces the rated capacity.



READING LOAD CHARTS

FOR CRANES UP TO 20 TONNES

Load Chart - Up to 60 Tonne (A)

Maximum Jib Load Ratings

Deductions

Deductions apply when lifting from beam point with jib erected use ratings for 36 metre boom and apply appropriate deductions for lengths less than 36 metres use boom angle to determine load rating in 36 metre column for angles not shown using rating of next Tower boom angle.

| Minimum Boom Angle | | Maximum Jib load ratings in kilograms (KGs) | | | | | | | | | | | |
|--------------------|------------|---|------------|-------|------------|-------|------------|-------|------------|------|-------|--|--|
| | | Jib Length in metres (M) | | | | | | | | | | | |
| | | 9 | | 12 | | 15 | | 18 | | 21 | | | |
| | Radius (M) | KGs | Radius (M) | KGs | Radius (M) | KGs | Radius (M) | KGs | Radius (M) | KGs | | | |
| 10 Offset | 80.00 | 7.6 | 8,700 | 8.4 | 7,395 | 9.8 | 4,437 | 10.9 | 2,884 | 12.0 | 2,019 | | |
| | 75.00 | 11.1 | 7,800 | 11.9 | 6,630 | 12.9 | 3,621 | 17.3 | 2,354 | 15.5 | 1,810 | | |
| | 70.00 | 14.0 | 7,100 | 14.8 | 6,035 | 16.2 | 3,421 | 20.7 | 1,525 | 18.4 | 1,648 | | |
| | 65.00 | 17.4 | 4,600 | 18.2 | 3,910 | 19.6 | 2,346 | 23.5 | 1,127 | 21.8 | 1,067 | | |
| | 60.00 | 20.2 | 3,400 | 21.0 | 2,890 | 22.4 | 1,734 | 26.8 | 1,020 | 24.6 | 1,014 | | |
| 55.00 | 23.5 | 2,500 | 24.3 | 2,125 | 25.7 | 1,275 | 26.8 | 1,020 | 27.9 | 918 | | | |
| 20 Offset | 80.00 | 8.8 | 8,200 | 9.6 | 6,970 | 11.0 | 4,182 | 12.1 | 2,718 | 13.2 | 2,175 | | |
| | 75.00 | 12.3 | 7,300 | 13.1 | 6,205 | 14.5 | 3,723 | 14.0 | 2,420 | 16.7 | 1,936 | | |
| | 70.00 | 15.2 | 6,600 | 16.0 | 5,610 | 17.4 | 3,366 | 18.5 | 2,188 | 19.6 | 1,750 | | |
| | 65.00 | 18.6 | 4,100 | 19.4 | 3,485 | 20.8 | 2,091 | 21.9 | 1,359 | 23.0 | 1,087 | | |
| | 60.00 | 21.4 | 2,900 | 22.2 | 2,465 | 23.6 | 1,479 | 24.7 | 1,183 | 25.8 | 947 | | |
| 55.00 | 24.7 | 2,000 | 25.5 | 1,700 | 26.9 | 1,020 | 28.0 | 918 | 29.1 | 734 | | | |
| 30 Offset | 80.00 | 10.0 | 7,700 | 10.8 | 6,545 | 12.6 | 5,236 | 13.7 | 3,403 | 14.8 | 2,382 | | |
| | 75.00 | 13.5 | 6,800 | 14.3 | 5,780 | 16.1 | 4,624 | 17.2 | 3,006 | 18.3 | 2,104 | | |
| | 70.00 | 16.4 | 6,100 | 17.2 | 5,185 | 19.0 | 4,148 | 20.1 | 2,696 | 21.2 | 1,887 | | |
| | 65.00 | 19.8 | 3,600 | 20.6 | 3,060 | 22.4 | 2,448 | 23.5 | 1,591 | 24.6 | 1,114 | | |
| | 60.00 | 22.6 | 2,400 | 23.4 | 2,040 | 25.2 | 1,632 | 28.2 | 1,061 | | | | |
| 55.00 | 25.9 | 1,500 | 26.7 | 1,275 | 30.7 | 1,020 | | | | | | | |

| Hook block weight - (KGs) | |
|---------------------------|--------|
| Single Line Weighted Hook | 200 kg |
| 1 Sheave Hook Block | 360 kg |
| 3 Sheave Hook block | 450 kg |
| 5 Sheave Hook Block | 500 kg |

NOTE:
Please read the 'Reading Load Charts for all crane classes' before reading this section.