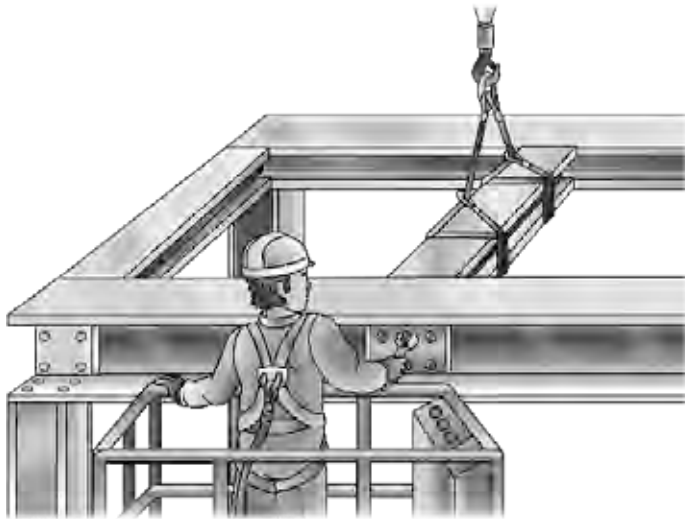


# RIGGING – BASIC INFORMATION BOOK



Training support material for:

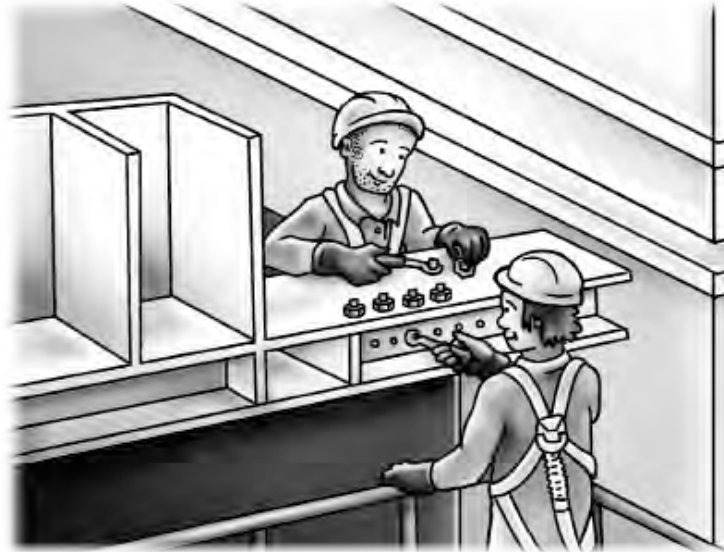
**CPCCLRG3001**  
Licence to perform  
rigging basic level



Produced by:



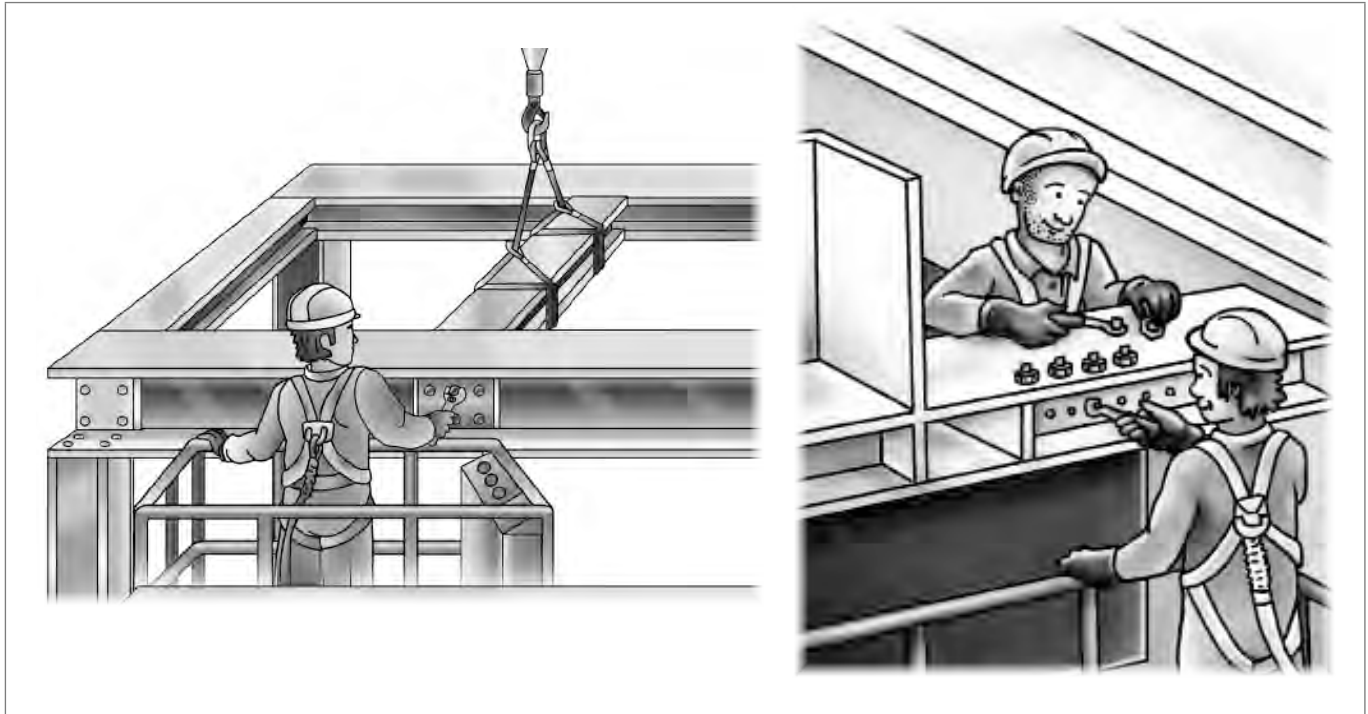
# INTRODUCTION TO RIGGING — BASIC



## What is rigging?

Rigging work means the use of mechanical load shifting equipment (and associated gear) to:

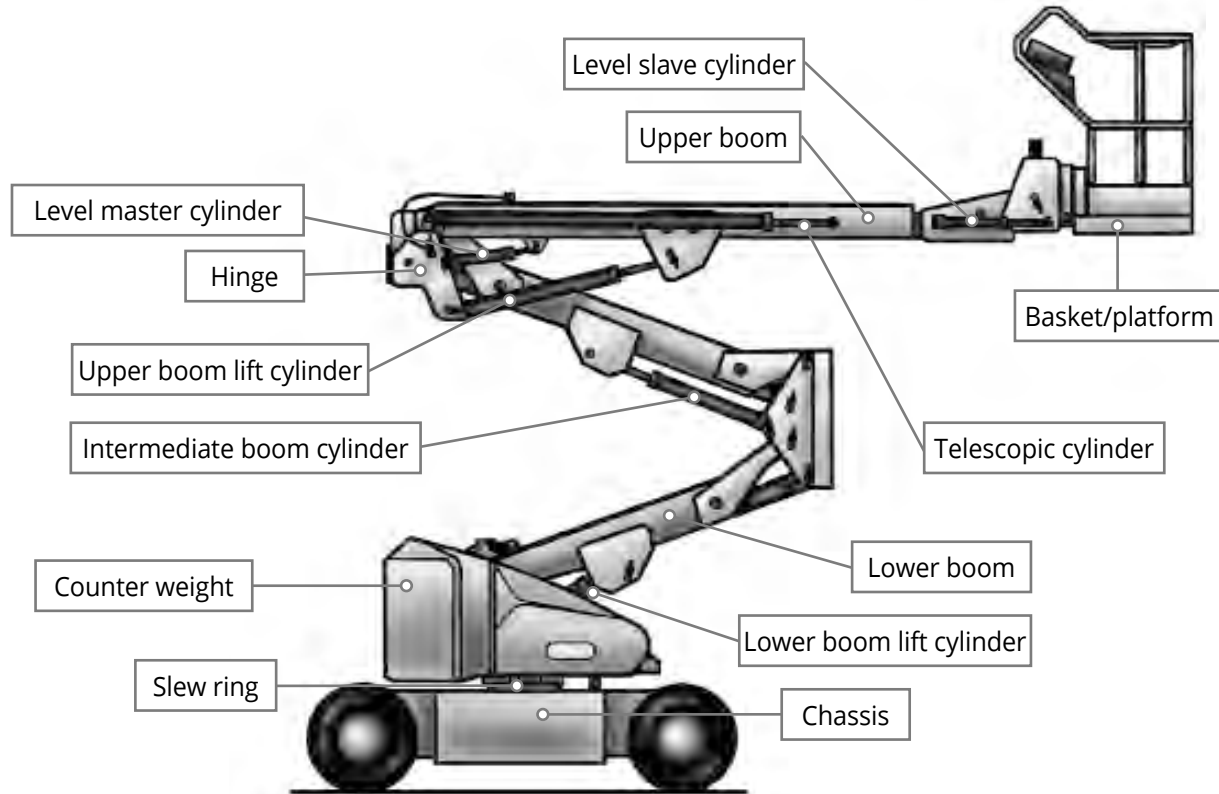
- Move, place or secure a load using plant, equipment or members of a building or structures to ensure the stability of those members
- The setting up or dismantling of cranes or hoists.



## Boom-type elevating work platform

Riggers often perform their work from Elevated work platforms (EWP).

You must hold the correct High Risk Work License to operate an EWP with a boom length of 11 metres or more.



# PLAN JOB

## Element 1

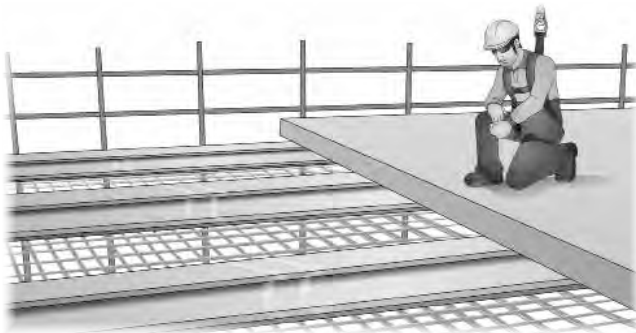


## Common tasks

The first thing to think about is the task (meaning job) you are going to do.

Common tasks or jobs done by someone with a basic rigging licence are:

- Dogging work such as slinging loads and directing movement of plant and equipment
- Erecting steel structures
- Placing pre-cast concrete
- Setting up and dismantling safety nets and static lines
- Erecting mast climbers
- Installing cantilevered crane loading platforms
- Installing perimeter safety screens and shutters.



## Assess the task

There are a number of things to think about when you plan your task.

These include:

- Task plans/drawings
- Entry and exit points
- Location of task
- Specifics of task
- Plant and equipment needed for task
- Availability of equipment
- Weights
- Permits.



### Beam clamps

Beam clamps are used to attach or suspend equipment such as temporary lifting gear to the bottom flange of an over head beam or girder.



### Eyebolts

An eyebolt is a lifting lug (a projection by which something is held or supported) that is screwed into a load. There are two types of eyebolts.

Collared eyebolt



Uncollared eyebolt



### Turnbuckle or rigging screws

An attachment used to tension:

- Rope
- FSWR
- Chain
- To provide fine adjustment.



### Wire rope grip (bulldog grip)

A removable device used to secure the end of wire ropes. Used in permanent fixed stays or guys.



### Lever block

A hand-powered device used to hoist a load suspended on a chain.

Also called a come-along, com-a-long or chain puller.



### Chain block

A portable device used to hoist a load suspended on a chain.



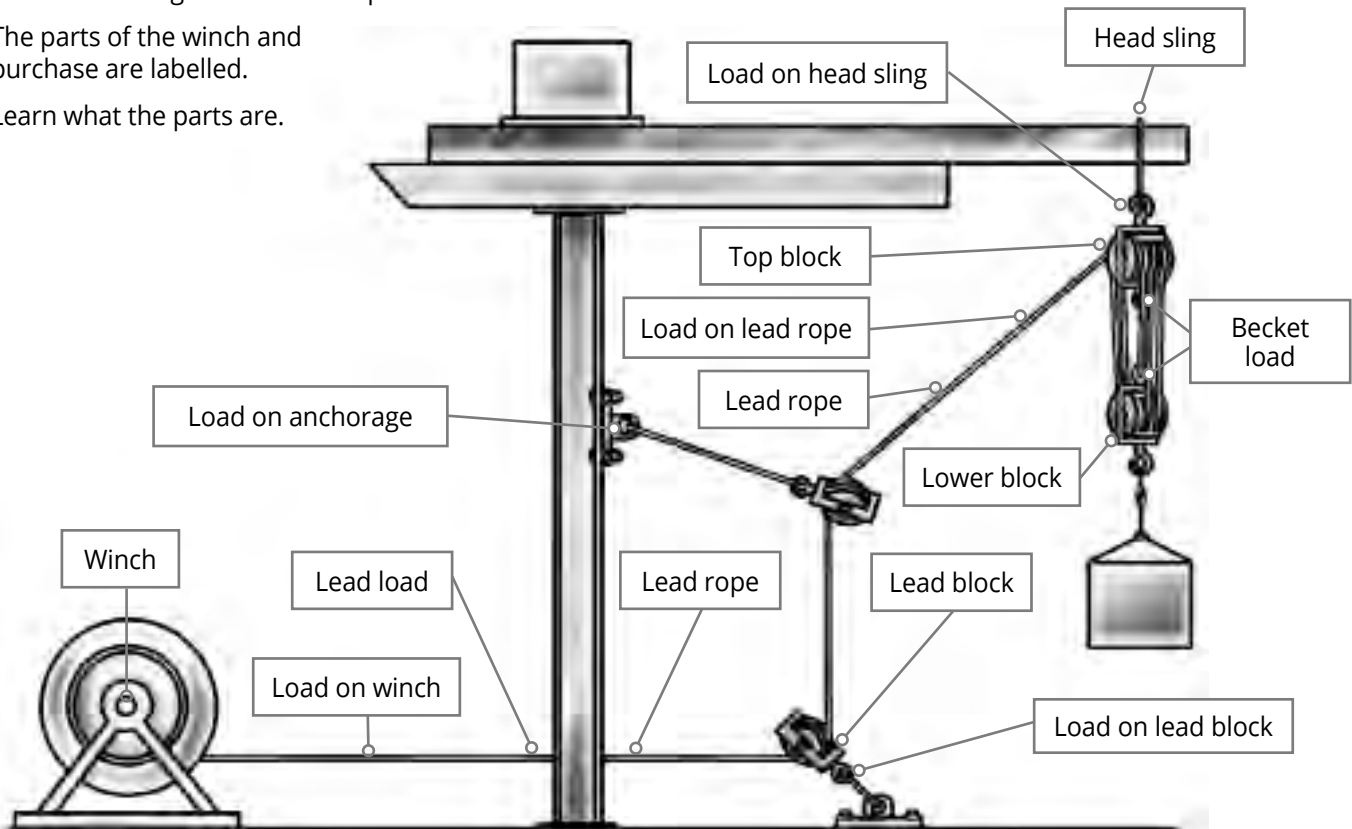
## The parts of a winch and purchase

You **must** know the equipment you are working with.

This is a drawing of a winch and purchase.

The parts of the winch and purchase are labelled.

Learn what the parts are.





## Identify high-strength bolts, nuts and washers

When erecting steel structures you need to use special high-strength bolts, nuts and washers.

You need to know how to identify each one.



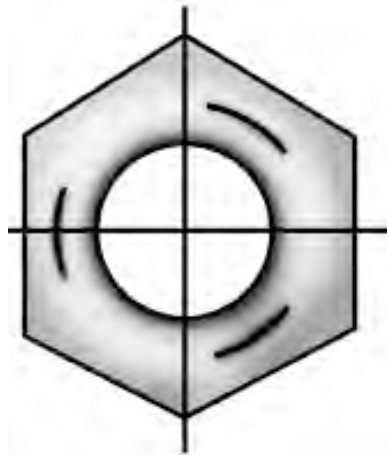
### High-strength bolt

This bolt is marked with 8.8 and has 3 radial lines



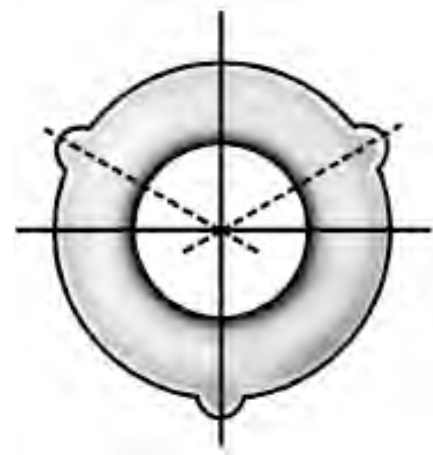
### High strength nut

This nut is marked with 3 arcs



### High-strength washer

This washer has 3 nibs sticking out



# SELECT AND INSPECT EQUIPMENT

## Element 2



## Select and inspect rigging equipment

When you start a job you need to select and inspect the right rigging equipment.

### Choosing the right equipment for the task

There are many different rigging tasks you will have to do. For each task, there are common pieces of equipment you will need. The following details show some examples of common basic rigging tasks and the equipment needed for them.

