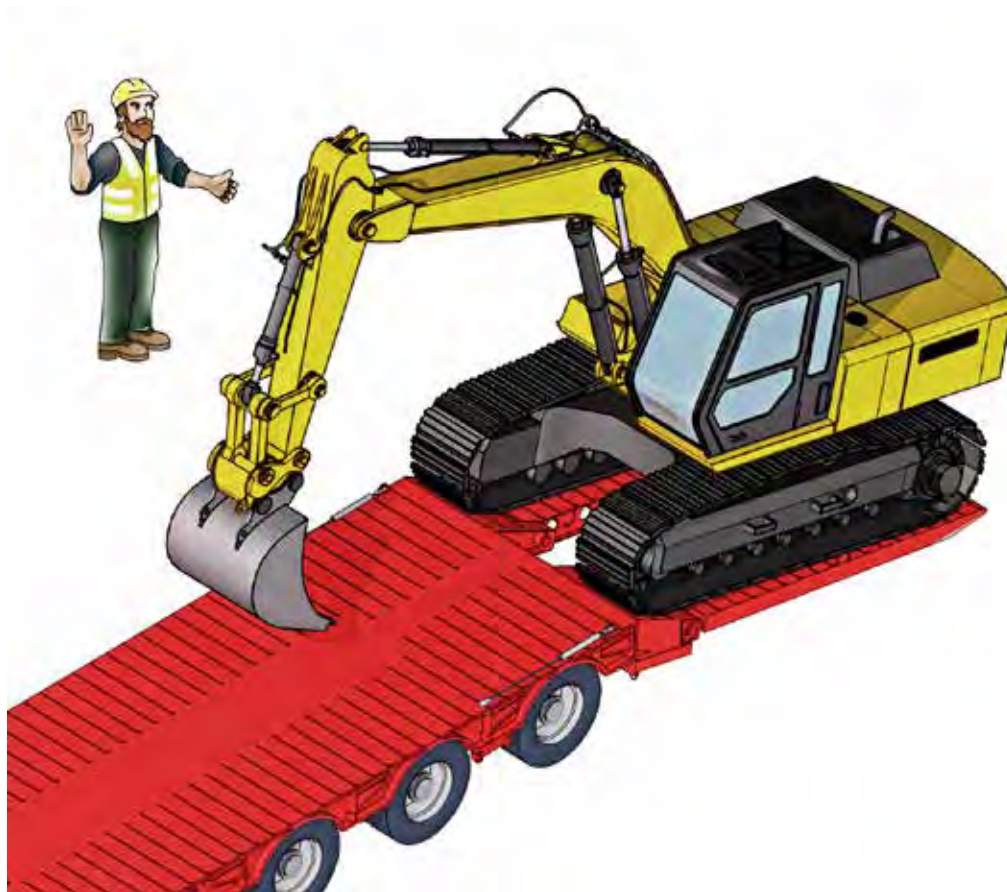


LEARNER **WORKBOOK**

Load and Unload Plant

Learner Copy



RII COMPETENCY

Training support material for:
RIIHAN308F
Load and unload plant

 **EASY
GUIDES**
Australia Pty Ltd

CONTENTS

Introduction	6
High risk licensing and the law	9
Element 1 Prepare to load and unload plant	13
Element 2 Load the plant in line with established requirements	49
Element 3 Unload the plant in line with established requirements	97
Thank you - Subject matter experts	106

PREPARE TO LOAD AND UNLOAD PLANT

Element 1



Personal protective equipment (PPE)

Question 2. What personal protective equipment (PPE) should you wear when loading and unloading a machine in hot weather

Answer may include but not limited to:

- hard hat
- hi viz vest
- gloves
- sunscreen
- long sleeved shirt with a collar
- safety glasses
- hard nosed boots



Notes



45. Question: What PPE should you wear when loading and unloading plant in hot, sunny weather?

Answer:

.....

.....

.....

.....

.....

.....

.....

.....

.....

.....

.....

.....

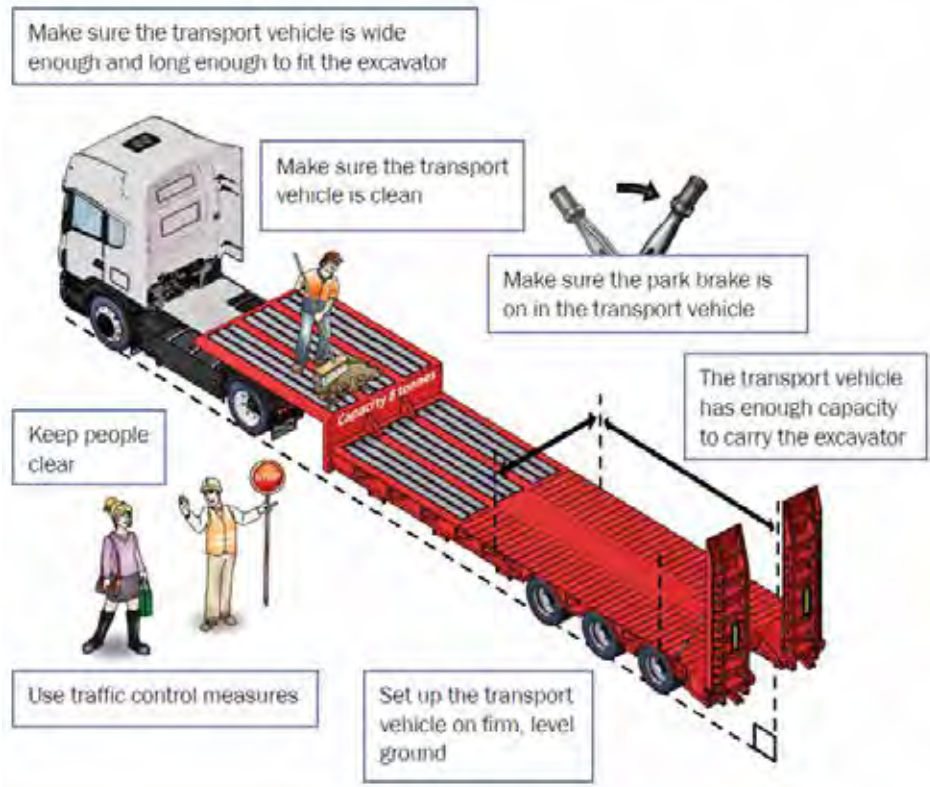
LOAD THE PLANT CORRECTLY

Element 2



Set up the transport vehicle to carry an excavator

Example of moving plant:



[Continued on next page.]

Notes



51. Question: Should the parking brake of the transport vehicle be on when loading or unloading plant?

Answer:

Dotted lines for writing the answer.

After the transport vehicle and the excavator have been prepared, what steps are taken?

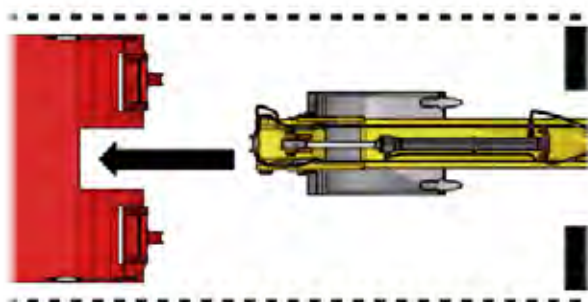
- 1. Raise the bucket to clear the ground.



- 2. Drive to the loading area.



- 3. Line the machine up with the ramps.



[Continued on next page.]

Notes



52. Question: What is the third thing you should do when loading plant onto a transport vehicle?

Answer:

.....

.....

.....

.....

.....

.....

.....

.....

.....

.....

.....

.....

.....

.....

.....

.....

.....

6. Lower the bucket to the vehicle deck and drive slowly forward while moving the attachment closer to the cab and supporting the front of the machine.



7. As the machine rocks over onto the deck raise the bucket slowly to prevent the machine coming down hard onto the deck.



8. Raise the bucket until it just clears the deck and position the machine on the vehicle to make sure the load is correctly shared by the wheels.



9. Move the bucket close to the operator's platform and lower the boom down until the boom weight is resting on the deck.



[Continued on next page.]

Notes



54. Question: Why should you raise the bucket slowly as the machine/plant rocks over onto the deck?...

Answer:

.....

.....

.....

.....

.....

.....

.....

.....

.....

.....

.....

.....

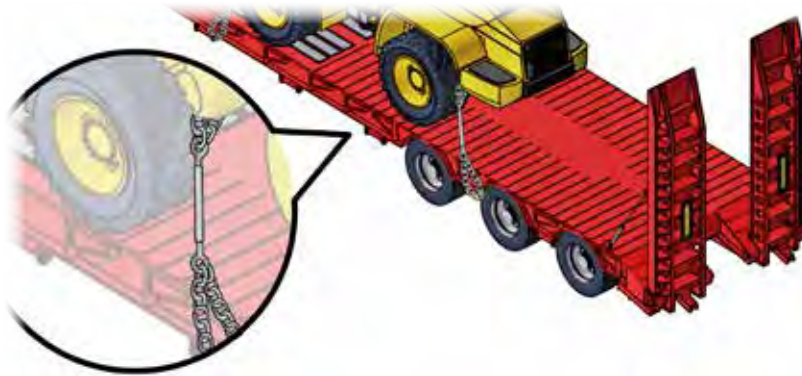
10. Switch off the machine and apply the park brake.



11. Secure the cabin.



12. Secure the machine to the vehicle.



Notes



55. Question: What is the last thing you should do when loading plant onto a transport vehicle?

Answer:

.....

.....

.....

.....

.....

.....

.....

.....

.....

.....

.....

.....

.....

.....

.....

.....

.....

.....

.....

.....

.....

.....

Machinery dimensions

You need to know the weight and dimensions of the float or trailer to safely carry the plant. This will help you to know that you have the right transport vehicle to do the job.

For example: Which float would you use?

Barry Smith has been asked to transport an excavator weighing 52 tonne with a track width of 3.2 meters, the company Barry works for has two floats in the transport pool.

A) 1 Drake widening 4x4 float timber deck and drake 2x4 dolly non widening

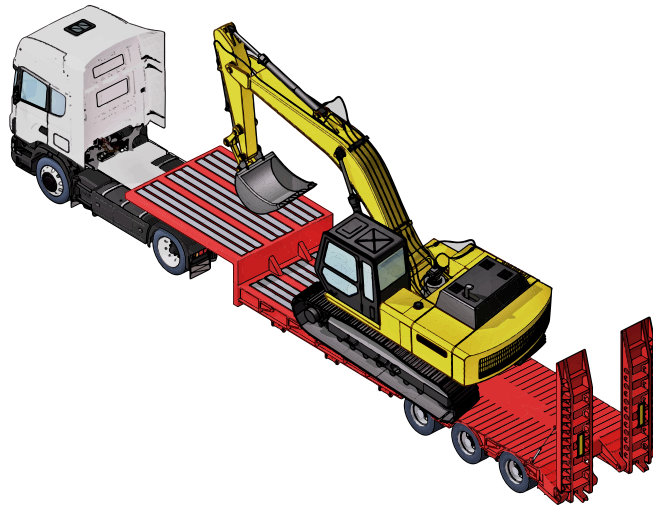
B) 1 Lusty 4x8 axle steel deck widening float and 2x8 dolly widening.

1 Which float would be used?

Answer:

Barry should use the 4x8 Lusty float. A 4x4 even with the dolly is only good for 50 tonne. Legal compliance build plates on the float and will have details including gross vehicle mass (GVM) and tare weight.

[Note: Gross Vehicle Mass (GVM) is the maximum total weight that a truck can apply to the ground.]



Notes



56. Question: Why is it important to know the weight and dimensions of the float or trailer?

Answer:

A series of horizontal dotted lines for writing the answer to the question.

Ratchets

A ratchet can only move in one direction. It is used to tighten the chain holding the plant onto a transport vehicle. The chain rating must be suitable for the weight of the load.



This is a 3.6 ton lever style ratchet binder for the use of chains of 6mm. These are nice and light for use with small machines such as a skid steer loader or small excavator.



Notes



69. Question: What is a ratchet used for?

Answer:

Handwriting practice area with multiple horizontal dotted lines for writing the answer.