

# RIGGING INTERMEDIATE SAFETY & LICENCE GUIDE



Training support material for:

CPCCLRG3002

Licence to perform rigging  
intermediate level



# CONTENTS

How to use this guide	4
Language – Literacy – Numeracy (LLN)	5
Acknowledgements	7
Introduction to intermediate rigging	9
High risk licensing and the law	11
Element 1 Plan Task	17
Element 2 Select and inspect equipment	45
Element 3 Set up task	51
Element 4 Undertake intermediate rigging activities	85
Element 5 Complete Task	111
Test yourself – Learning tasks	133

## About this guide

The guide is a follow-up to your formal training.

Like all Easy Guides, this one uses plain words and pictures to help you remember what you learned in your formal training. So you can pass your test – and get your licence.

Good luck from the team at Easy Guides Australia Pty Ltd.

Note: This guide does not use the same wording as the Safe Work Australia Assessment Instrument. This Instrument cannot be shown to the learner before the test.

Easy Guides training materials have been developed around Language – Literacy – Numeracy (LLN) principles.



## How to use this guide

### Use it in hard copy

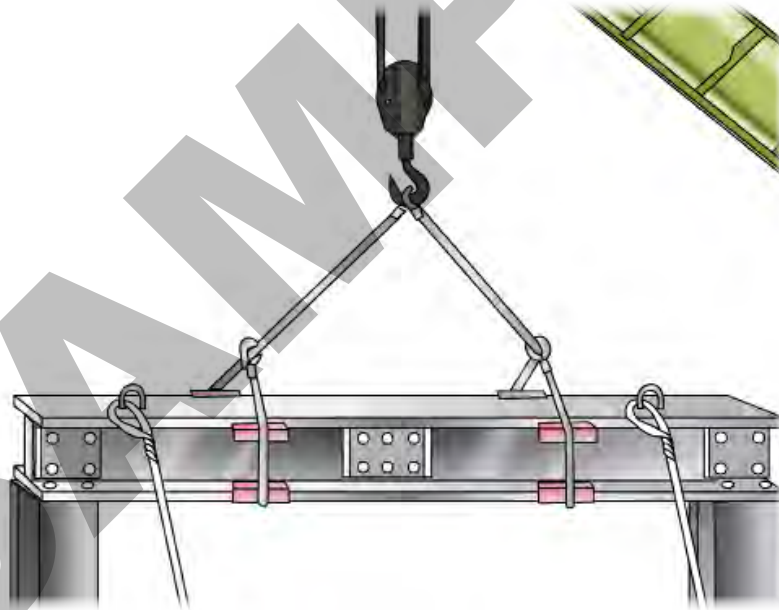
This guide helps you prepare for the test at the end of the course. Study it carefully, and then ask a friend to help you practise. They can ask you each question, and then you give the answer. Writing down the answers can also help you remember them. This also helps you see what you still need to learn. Good luck!

### Or use it on screen

This guide also comes in a multimedia presentation, so you can use it on your computer or screen. The multimedia presentation is just like the guide and has exactly the same questions with the same short words and easy-to-understand pictures.

Trainers can use the multimedia presentation in class to help learners discuss questions. The trainer first shows the question and asks if anyone knows the answer. Next, the trainer will show the answer and discuss it with the learners.

# INTRODUCTION TO INTERMEDIATE RIGGING



## What is intermediate rigging?

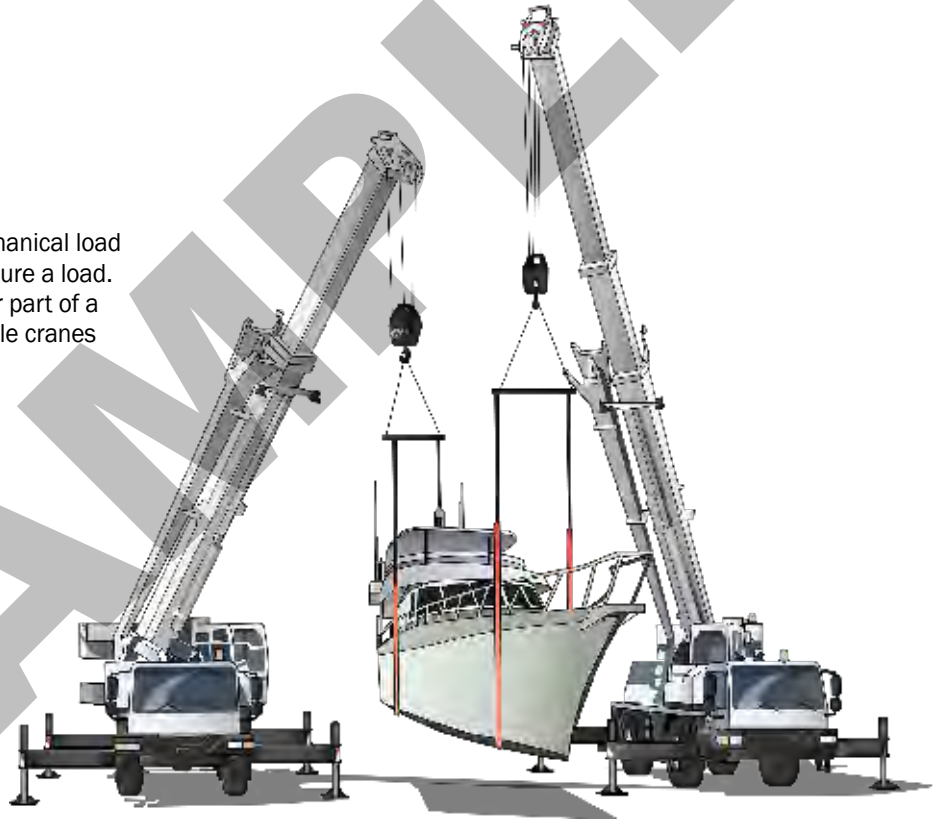
Intermediate rigging covers all the work done by riggers at the basic level, and also includes:

- Rigging of cranes
- Rigging of conveyors
- Rigging of dredges and excavators
- Rigging tilt slabs
- Demolition work
- Dual crane lifts.

Intermediate rigging includes using mechanical load shifting equipment to move, place or secure a load. It also involves using plant, equipment or part of a structure/building to set up and dismantle cranes and hoists.

### Prerequisite

- CPCCLRG3001  
Licence to perform rigging basic level
- A valid licence for basic rigging (RB)



An intermediate rigger can also perform work usually done by a dogger or basic rigger (continued)

## Rigging work involving:

Structural steel erection



Hoists



Pre-cast concrete members of a structure



Safety nets and static lines



Mast climbing work platforms



Perimeter safety screens and shutters



Cantilevered crane loading platforms



An intermediate rigger **cannot perform any rigging work** involving any of the following.

Gin poles



Shear legs



Flying foxes and cable ways



Guyed derricks and structures

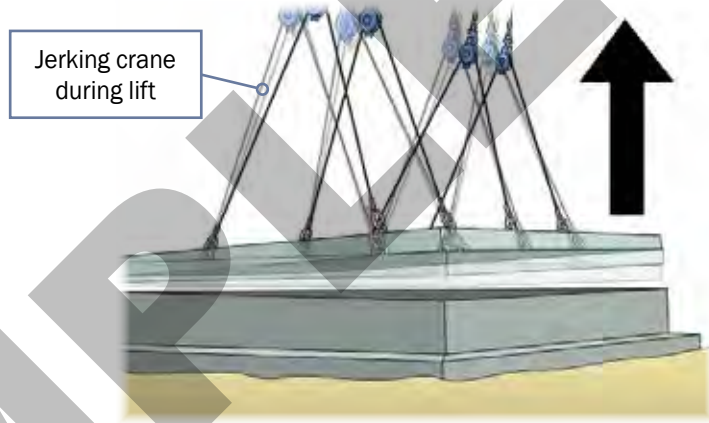


## Safety factors

Safety factor is a margin included in calculations to allow for conditions on the job.

Things that might affect the safety factor include:

- Strength of material used to manufacture equipment or materials
- Work method. For example, jerking the crane during a lift will increase the required safety factor.

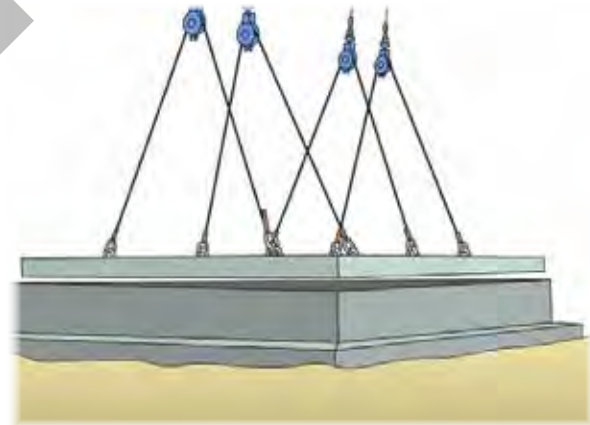


### QUESTION 3.4 (A)

You need to lift a pre-cast panel from its casting bed.

What is the risk?

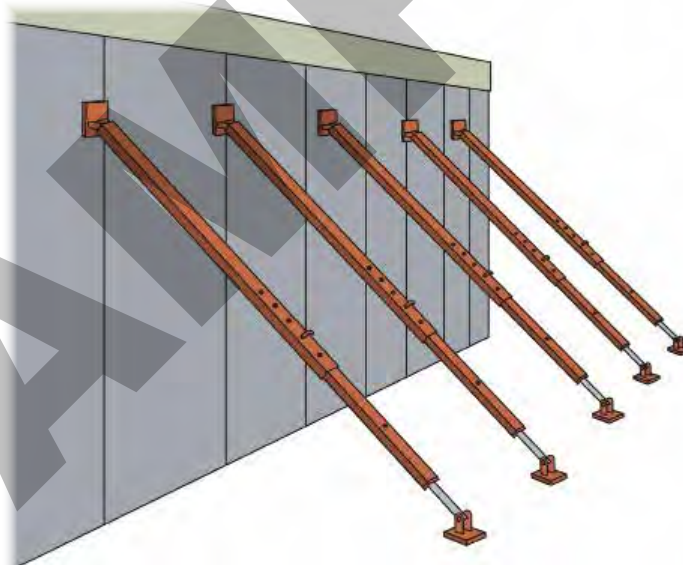
Suction can cause an increase in the dead load of the panel. If the tilt-up panel is sticking to the casting surface the dead load must be increased by 40% to allow for the effect of suction.





# UNDERTAKE INTERMEDIATE RIGGING ACTIVITIES

## Element 4



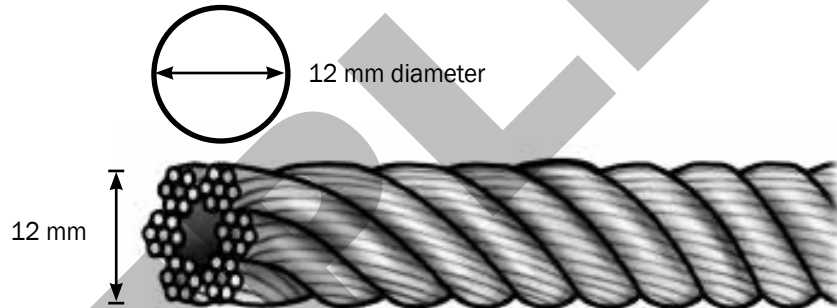
**QUESTION 4.1 (G)**

Demolition rigging involves felling columns, walls and towers by pulling them over.

What is the minimum diameter of:

- Flexible steel wire rope (FSWR) used for felling
- Grade 80 chain used for felling?

Felling FSWR must have a minimum diameter of 12 mm



Felling grade 80 chain must have a minimum diameter of 8 mm

